

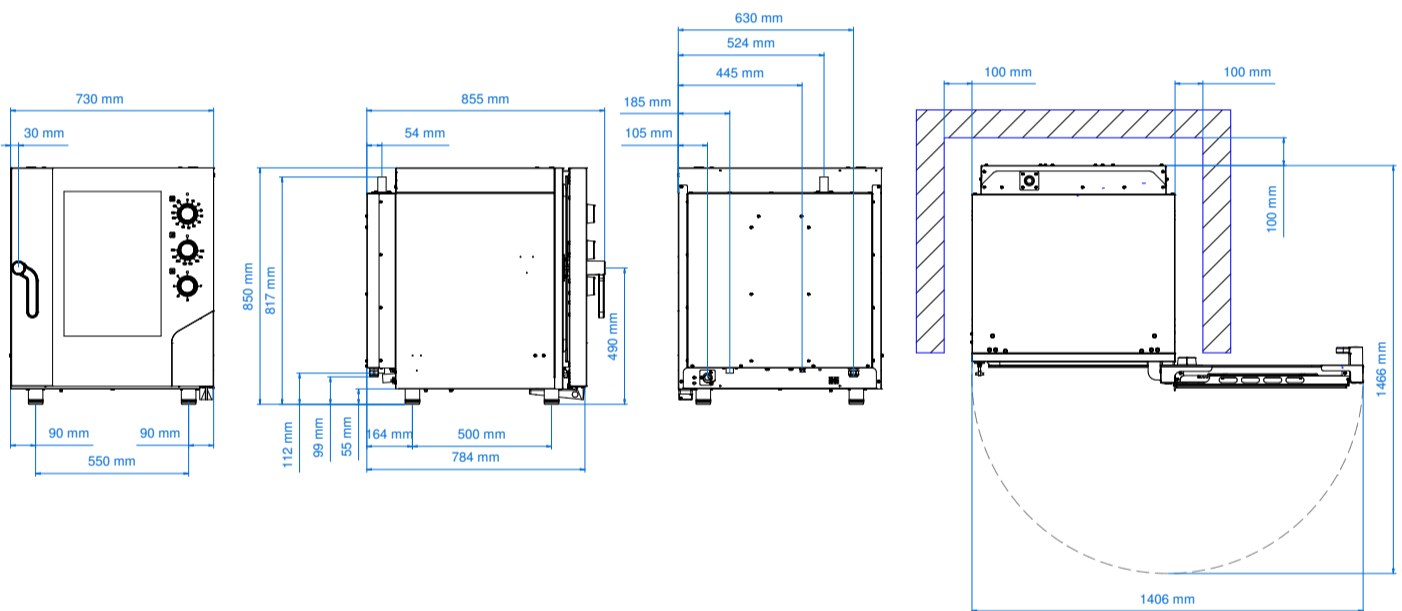
CHF 711 MCN



Electric combi oven 7 trays 1/1 GN with electromechanic panel

You can experience for yourself all the advantages of an essential oven, CHF 711 MCN with 7 1/1 GN slots and electromechanical panel.

A solid and refined design, with an operating temperature of 100 to 275°C that will allow you to evenly cook the most elaborate dishes, every time. Without sacrificing the simplicity of use that is the distinguishing mark of all MILLENNIAL SMART ovens.



Plus

Available on request at the order Voltage (V) : AC 220/230 3 PH
Left side opening door *
 Adjustable door hinges

Equipment

Cardboard box dimensions with pallet (WxDxH mm) 790 x 905 x 1016
 Lateral supports 1 right + 1 left
 Cable Three-phase+neutral [5G 2,5]-L=1600 mm
 Manual washing predisposition
 Condensate collection bowl, with drain on door
 Hinge with door locking for openings adjusted at 60°, 90°, 120°, 180°

Dimensional features

Dimensions (WxDxH mm) 730 x 855 x 850
 Weight (kg) 96
 Distance between rack rails (mm) 68

Electrical features

Power supply (kW) 10,4
 Frequency (Hz) 50/60
 Voltage (V) AC 380/400 3N
 N° motors 2 bidirectionals
 Boiler (kW) /
 Protection against water IPX4

Functional features

Power Electricity
 Capacity N° 7 trays/grids 1/1 GN
 Type of cooking Ventilated
 Steam Direct steam controlled by knob (5 levels)
 Cooking chamber AISI 304 stainless steel
 Temperature 100 - 270 °C
 Temperature control Thermostat
 Control panel Electromechanic - right side
 N° programs /
 Programmable cooking steps /
 Pre-heating temperature /
 Pre-heating function /

Door Right side opening
Ventilated
Inspectionable glass
 Modularity Yes
 Feet Adjustable