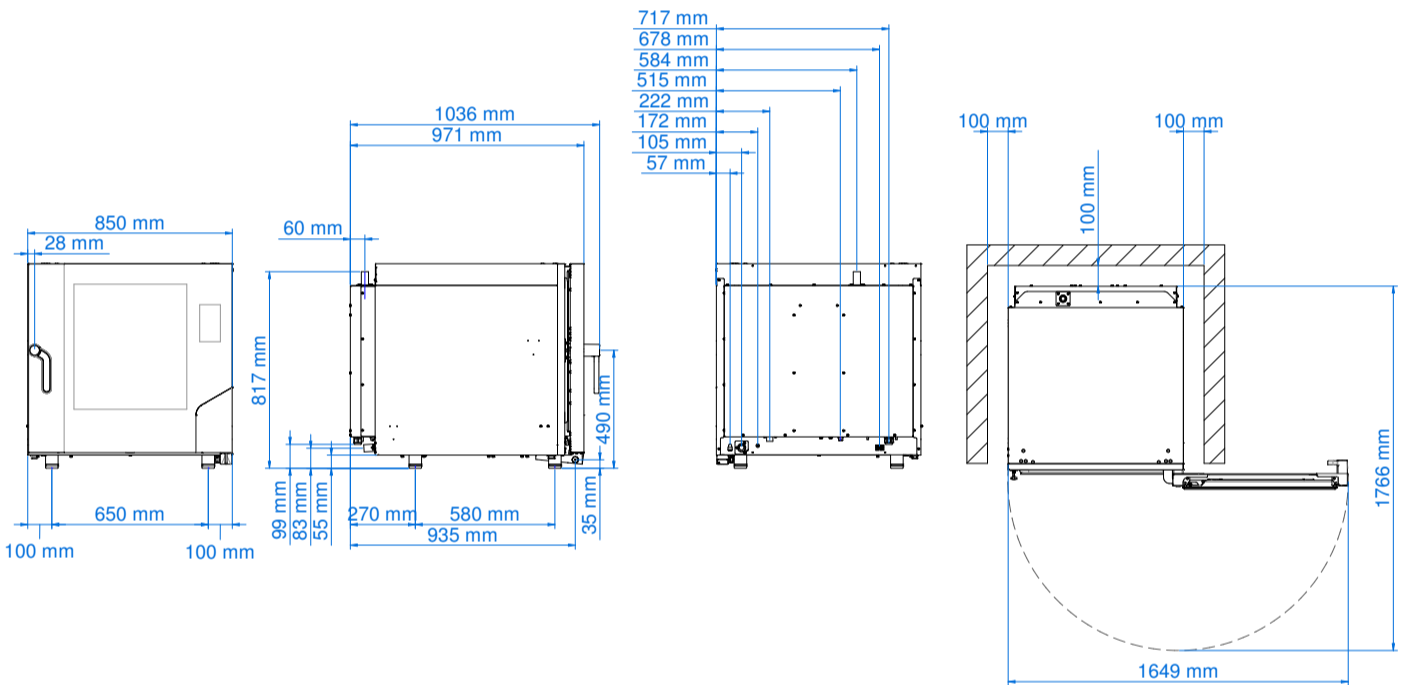


CHF 664 DGT



Electric combi oven 6 trays 600 x 400 mm with BLACK MASK

Like all ovens in the MILLENNIAL BLACK MASK line, it allows 100 programmable recipes and the possibility of configuration for automatic washing and probe to the oven's heart. The oven for 6 600x400 mm trays with BLACK MASK panel is finally available for your kitchen with the innovative patented technologies Airflowlogic and Humilogic.



Plus

Patented fan guard system Airflowlogic™	
Patented system for direct steam Humilogic™	
	Voltage (V) : AC 220/230 3 PH
Available on request at the order	Left side opening door *
	MKF 616 BM with bivalent supports **
Humidity management software	
Programmable oven start	
N° 40 recipes stored	
HACCP system	
Adjustable door hinges	

Equipment

Cardboard box dimensions with pallet (WxDxH mm)	910 x 1090 x 1015
Lateral supports	1 right + 1 left
Cable	Three-phase+neutral [5G 2,5]-L=1600 mm
USB port	
Core probe predisposition	
Automatic washing system predisposition	
Condensate collection bowl, with drain on door	
Hinge with door locking for openings adjusted at 60°, 90°, 120°, 180°	

Dimensional features

Dimensions (WxDxH mm)	850 x 1035 x 850
Weight (kg)	108,2
Distance between rack rails (mm)	80

Electrical features

Power supply (kW)	10,4
Frequency (Hz)	50/60
Voltage (V)	AC 380/400 3N
N° motors	2 bidirectionals
Boiler (kW)	/
Protection against water	IPX4

Functional features

Power	Electricity
Capacity	N° 6 trays/grids 600 x 400 mm
Type of cooking	Semistatic + ventilated
Steam	Direct steam controlled by touch panel (10 levels)
Cooking chamber	AISI 304 stainless steel
Temperature	30 - 270 °C
Temperature control	Digital probe thermometer
Control panel	Black mask electronic control
N° programs	100
Programmable cooking steps	10
Pre-heating temperature	180 °C
Pre-heating function	Programmable
Door	Right side opening Ventilated Inspectionable glass
Modularity	Yes
Feet	Adjustable