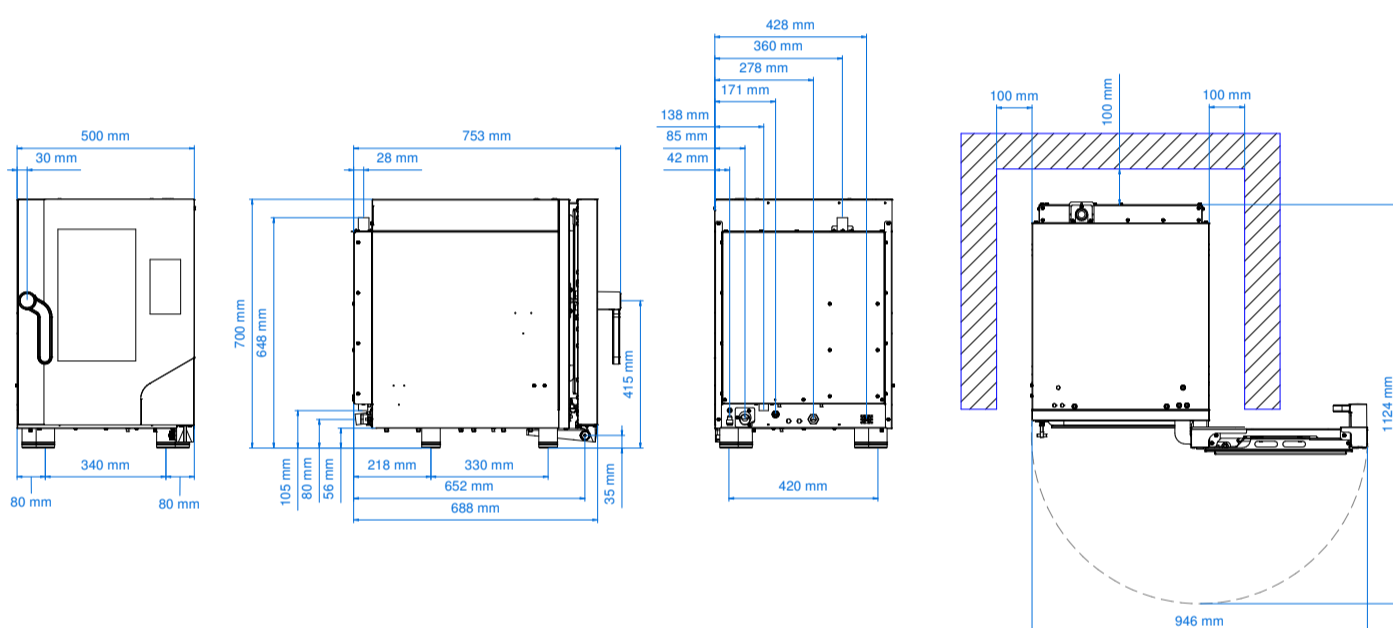


# CHF 623 DGT COMPACT



## Electric COMPACT combi oven 6 trays 2/3 GN with BLACK MASK

A compact, fast, intuitive and simple oven. With the new BLACK MASK panel and only 50 cm of width, the CHF 623 DGT COMPACT oven is designed to be inserted into open kitchens, its compact size allows its placement even on worktops only 700 mm deep.



### Dimensional features

Dimensions (WxDxH mm)	500 x 750 x 700
Weight (kg)	61,6
Distance between rack rails (mm)	68

### Plus

Patented fan guard system <b>Airflowlogic™</b>	
Patented system for direct steam <b>Humilogic™</b>	
Available on request at the order	Voltage (V) : AC 220/230 3 PH Voltage (V) : AC 220/230 Left side opening door *
Humidity management software	
Programmable oven start	
N° 40 recipes stored	
HACCP system	
Adjustable door hinges	

### Equipment

Cardboard box dimensions with pallet (WxDxH mm)	570 x 800 x 870
Lateral supports	1 right + 1 left
Cable	Three-phase+neutral [5G 1,5]-L=1600 mm
USB port	
Single-point core probe cod. MKSCMO	
Support for core probe cod. MKSSC/A	
Automatic washing system integrated	
Condensate collection bowl, with drain on door	
Hinge with door locking for openings adjusted at 60°, 90°, 120°, 180°	

### Electrical features

Power supply (kW)	5,2
Frequency (Hz)	50/60
Voltage (V)	AC 380/400 3N
N° motors	1 bidirectional
Boiler (kW)	/
Protection against water	IPX4

### Functional features

Power	Electricity
Capacity	N° 6 trays/grids 2/3 GN
Type of cooking	Semistatic + ventilated
Steam	Direct steam controlled by touch panel (10 levels)
Cooking chamber	AISI 304 stainless steel
Temperature	30 - 270 °C
Temperature control	Digital probe thermometer
Control panel	Black mask electronic control
N° programs	100
Programmable cooking steps	10
Pre-heating temperature	180 °C
Pre-heating function	Programmable
Door	Right side opening Ventilated Inspectionable glass
Modularity	Yes
Feet	Adjustable