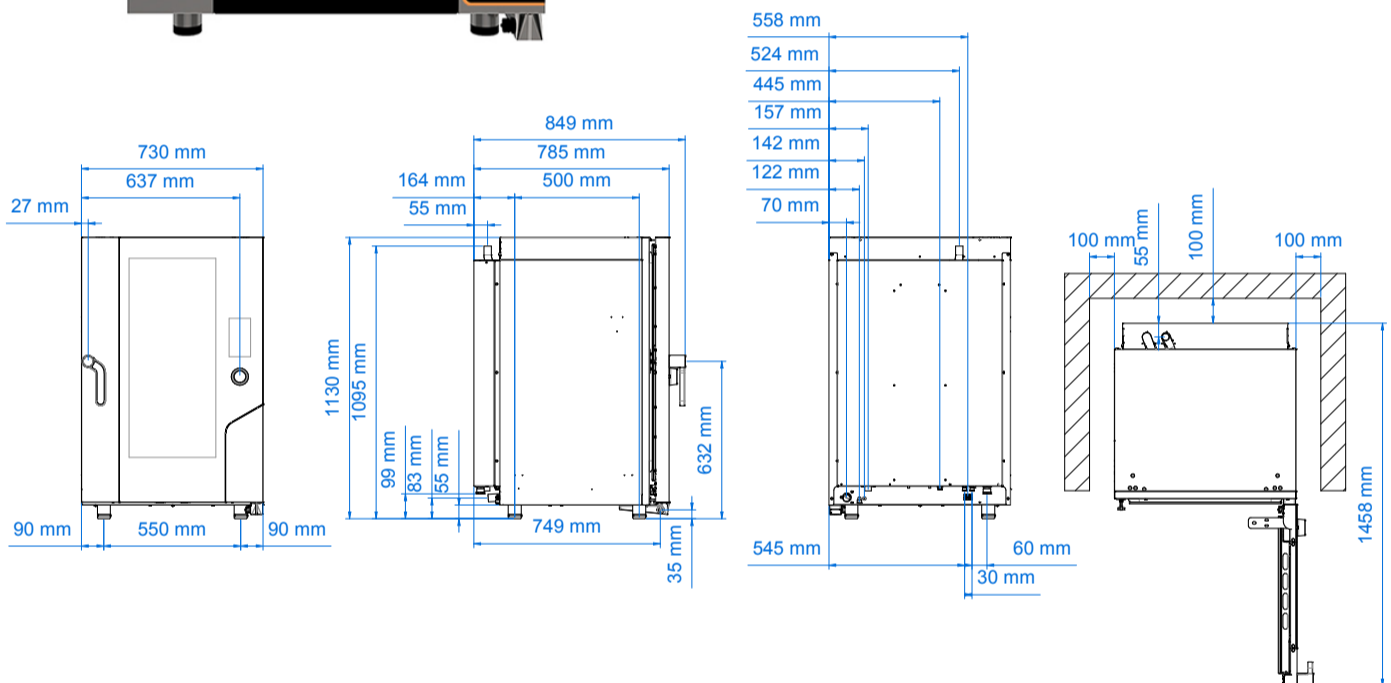


# CHF 1111 TOP



## Electric combi oven with touch screen 11 trays 1/1 GN

Quality and reliability are its strengths and versatility its trump card. Just like the whole generation of MILLENNIAL ovens, every detail of the CHF 1111 TOP is designed to fulfil the needs of professional chefs. Thanks to steam cooking with automatic control, you can cook your dishes to perfection. With the innovative convection cooking system, you can heat up each of the 11 1/1 GN trays evenly. Because cooking to perfection is not a whim, but a necessity, thanks to the innovative Airflowlogic, Humilogic and Drylogic patented technologies.



### Dimensional features

|                                  |                  |
|----------------------------------|------------------|
| Dimensions (WxDxH mm)            | 730 x 849 x 1130 |
| Weight (kg)                      | 136              |
| Distance between rack rails (mm) | 68               |

### Electrical features

|                          |                 |
|--------------------------|-----------------|
| Power supply (kW)        | 15,4            |
| Frequency (Hz)           | 50/60           |
| Voltage (V)              | AC 380/400 3N   |
| N° motors                | 2 bidirectional |
| Boiler (kW)              | /               |
| Protection against water | IPX5            |

### Functional features

|                            |  |
|----------------------------|--|
| Power                      | Electricity  |
| Capacity                   | N° 11 trays/grids 1/1 GN                                 |
| Type of cooking            | Semistatic + ventilated                                  |
| Steam                      | Direct steam controlled by touch screen(10 levels )      |
| Cooking chamber            | AISI 304 stainless steel                                 |
| Temperature                | 30 - 270 °C  |
| Temperature control        | Digital probe thermometer                                |
| Control panel              | Touch screen   |
| N° programs                | 500  |
| Programmable cooking steps | 10   |
| Pre-heating temperature    | 180 °C   |
| Pre-heating function       | Programmable   |
| Door                       | Right side opening<br>Ventilated<br>Inspectionable glass |
| Modularity                 | Yes  |
| Feet                       | Adjustable   |

### Equipment

|   |   |
|---|---|
| Cardboard box dimensions with pallet (WxDxH mm)                       | 788 x 903 x 1276 mm                     |
| Lateral supports  | 1 right + 1 left                        |
| Cable   | Three-phase+neutral<br>[5G 4]-L=1600 mm |
| USB port  |   |
| Multipoint core probe cod. MKSCMU                                     |   |
| Plug for "vacuum cooking" probe cod. MKSCSV                           |   |
| Automatic washing system integrated                                   |   |
| Condensate collection bowl, with drain on door                        |   |
| Hinge with door locking for openings adjusted at 60°, 90°, 120°, 180° |   |

### Plus

|   |   |
|---|---|
| Patented fan guard system <b>Airflowlogic™</b>              |   |
| Patented system for direct steam <b>Humilogic™</b>          |   |
| Patented system for cooking chamber drying <b>Drylogic™</b> |   |
| Available on request at the order                           | Voltage (V) : AC 220/230 3<br>Left side opening door  |
| Humidity management software                                |   |
| Wi-Fi communication system                                  |   |
| Knob for quick selection of the touch screen                |   |
| Programmable oven start                                     |   |
| N° 40 recipes stored  |   |
| Control panel in 40 languages:                              | Arabic, Armenian, Azerbaijani, Bahasa (Indonesia), Bahasa (Malaysia), Bosnian, Bulgarian, Czech, Chinese, South Korean, Croatian, Danish, Philippine, Finnish, French, Georgian, Japanese, Greek, English, Icelandic, Italian, Kazakh, Lithuanian, Norwegian, Dutch, Persian (Iran), Polish, Portuguese, Romanian, Russian, Serbian, Slovenian, Spanish, Swedish, German, Thai, Turkish, Ukrainian, Hungarian, Vietnamese |
| HACCP system  |   |
| Adjustable door hinges                                      |   |