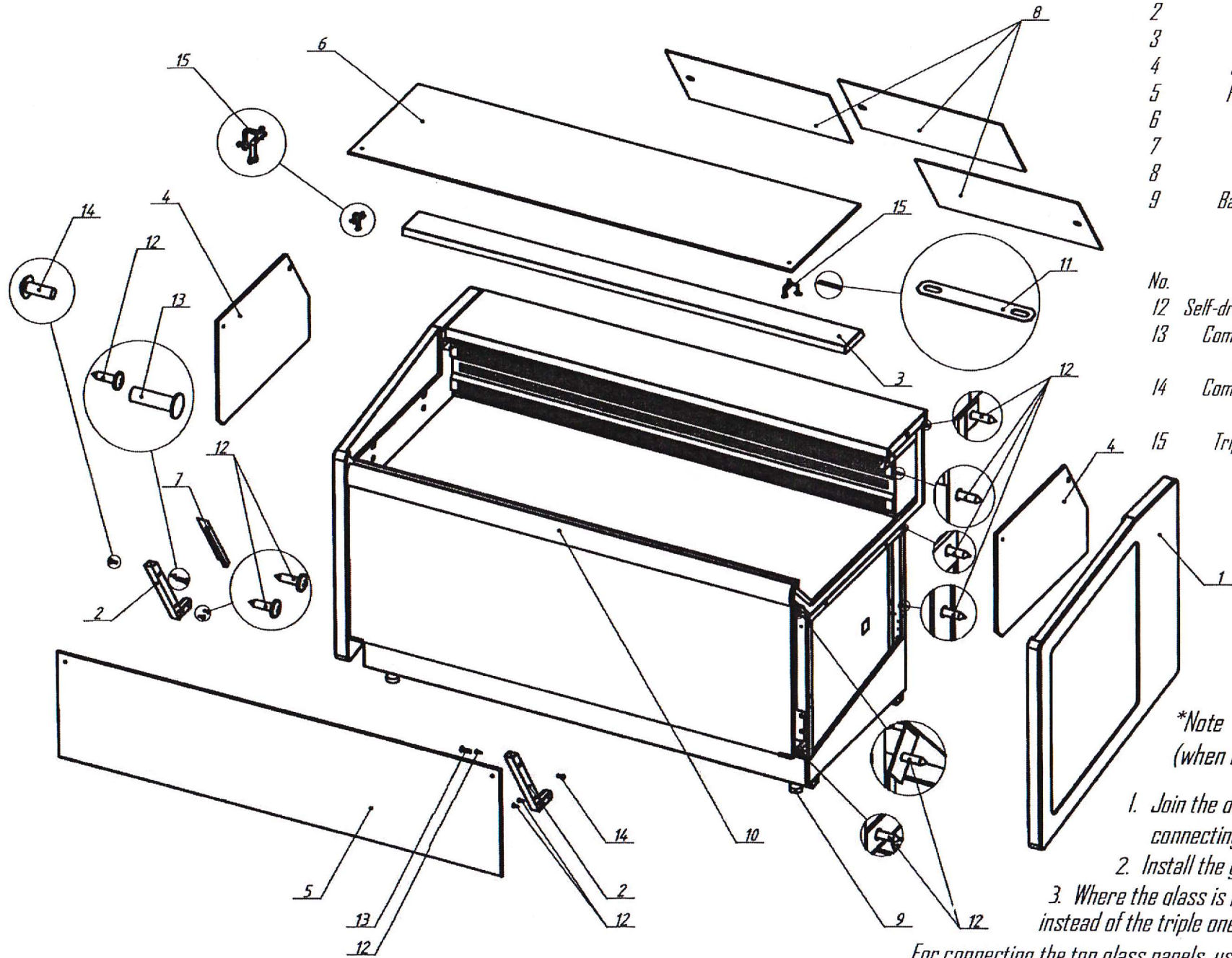


*Assembly diagram for refrigerated display case KC82 SMI.D/1.2/1.5-1*



No.	Part
1	Side panel
2	Stands
3	Lamp
4	Side glass
5	Front glass
6	Top glass
7	Cover
8	Leaves
9	Base jack M10

Fixtures		
No.	Part	Qty
12	Self-driving screw M4x16	18
13	Combi screw M6x16 ("female")	2
14	Combi screw M6x16 ("male")	2
15	Triple connector	2

*\*Note  
(when assembling the case in a line)*

- 1. Join the display cases by smoothly connecting the front profile (10);*
  - 2. Install the glass;*
  - 3. Where the glass is joined, use the double connector instead of the triple one (15).*
- For connecting the top glass panels, use plate (11).*