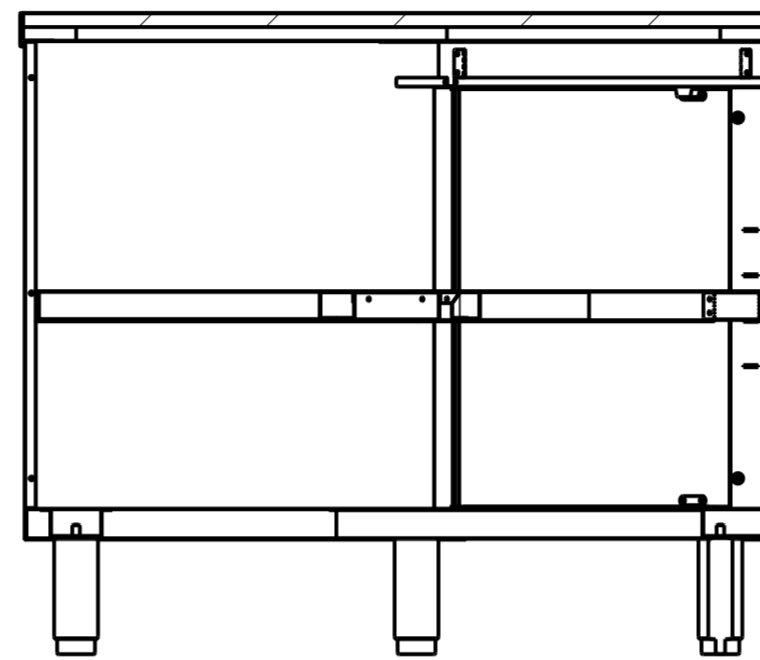
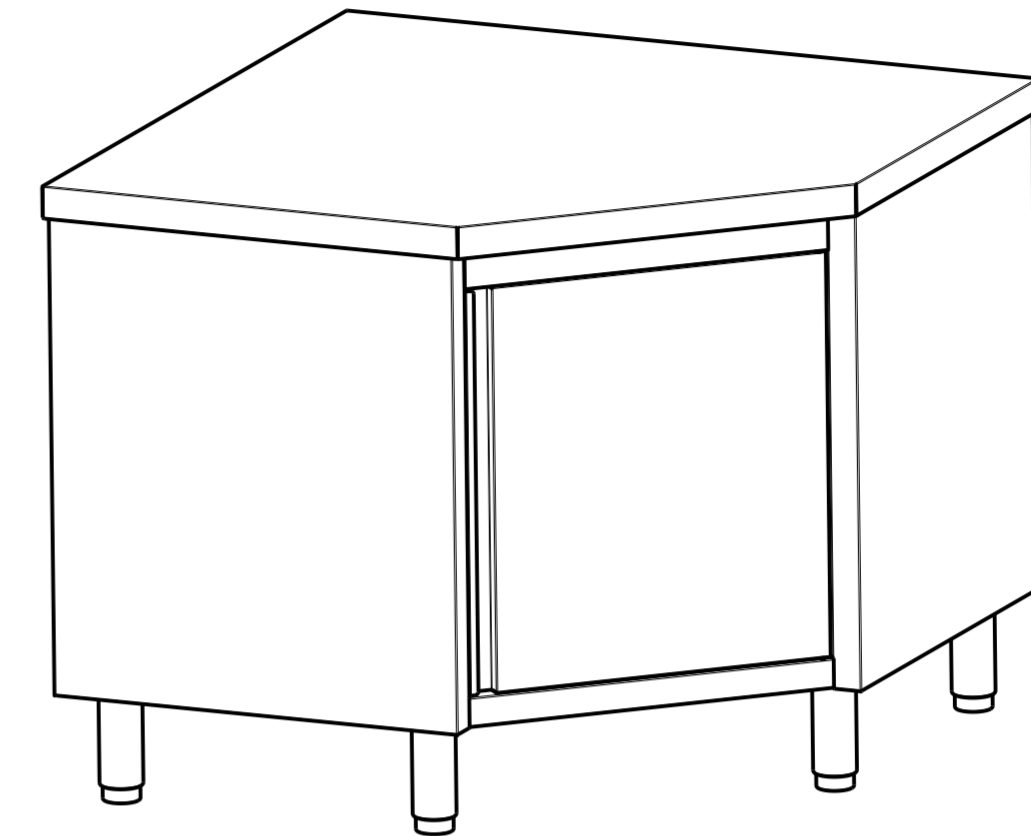


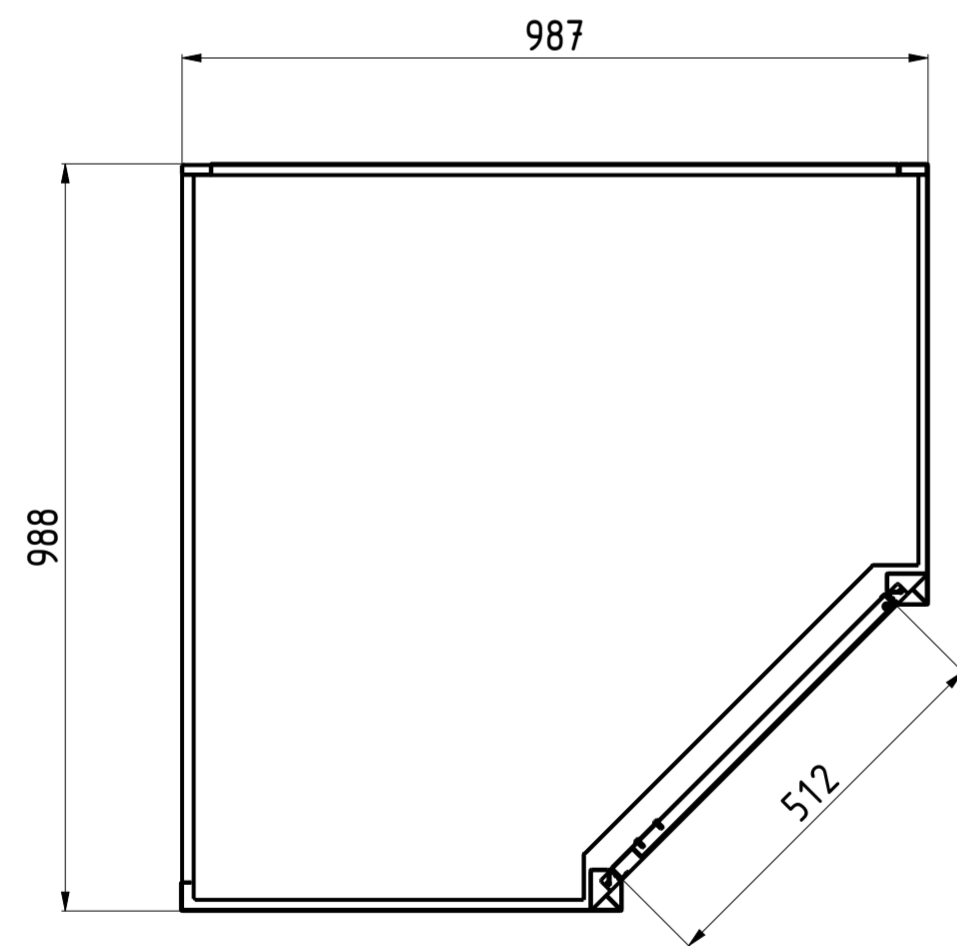
FRONT VIEW B-B 1:10



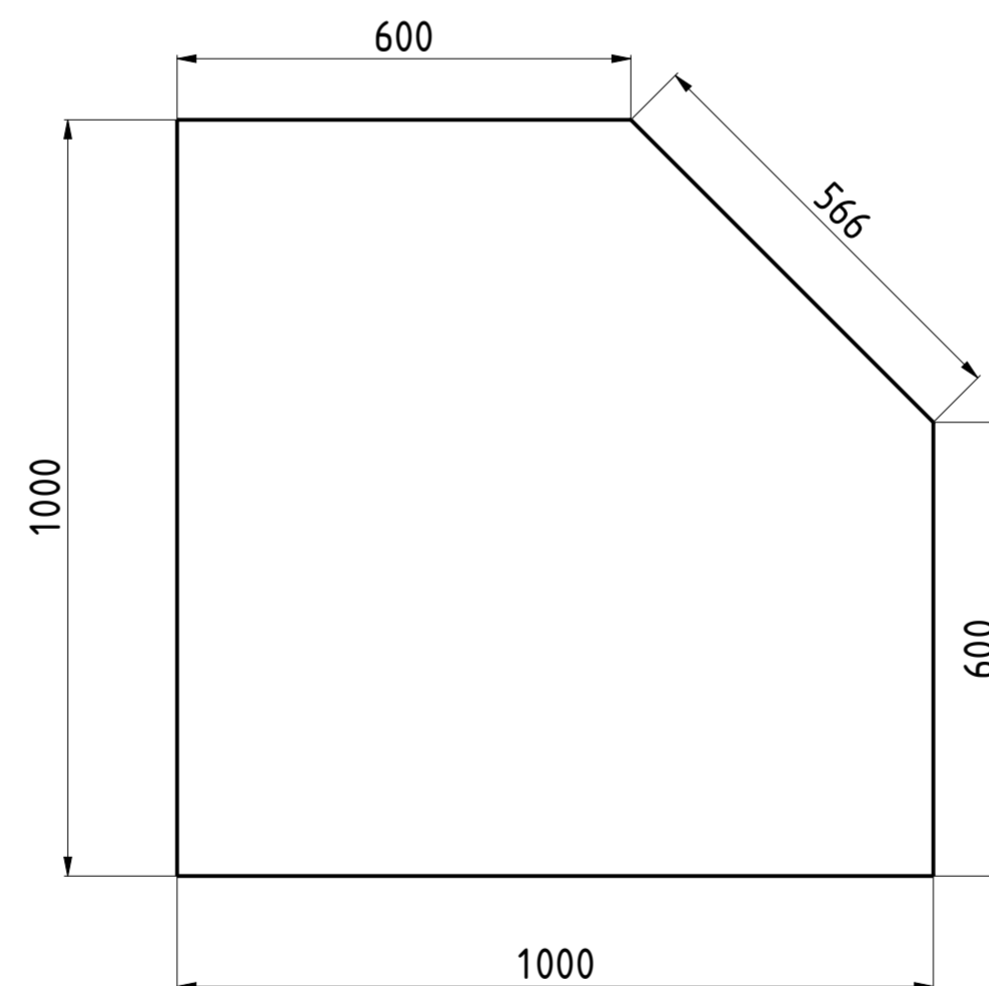
A-A



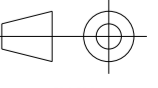
3D VIEW 1:10



INTERNAL DIM D-D



DATA DATE	MODIF. N. MODIF. NO.	DESCRIZIONE MODIFICHE MODIFICATION DESCRIPTION	DISegnATO DRAWN BY	APPROVATO APPROVED
MODELLO MODEL	TAVOLO ARMADIATO ANGOLO 100x60 CORNER CUPBOARD 100x60		DISegno N. DRAWING NO. EKOTAAPB106	SCALA SCALE -
PARTICOLARE DETAIL	SCHEDA TECNICA DATA SHEET		DISegnATO DRAWN BY M.PAPI	DATA DATE -
MATERIALE MATERIAL	SPESS. THICK.	APPROVATO APPROVED	SHEET 1 OF 3	
FINITURA FINISH	PEZZI N. PIECES NO.	SOSTITUISCE IL DIS. N. IT REPLACES DRAWING NO.	ULTIMA EMISS. LAST EDITION	
TRATTAMENTO TREATMENT	COLORE COLOUR	SOSTITUITO DAL DIS. N. REPLACED BY DRAWING NO.		



mm

FORM.A-2

ELABORATO CON SISTEMA CAD
DESIGNED BY CAD/STEM

QUOTA PRIMARIA
PRIMARY DIMENSION
XX

ANGOLI
Angles
30° ±0.30°

TOLLERANZA UNLESS OTHERWISE STATED

>500	±0.75
400-500	±0.65
315-400	±0.60
250-315	±0.55
180-250	±0.50
120-180	±0.45
80-120	±0.40
50-80	±0.35
30-50	±0.30
18-30	±0.25

QUOTE SENZA TOLLERANZA

LUNGH. E DIAM.
LENGTH AND DIAM.