

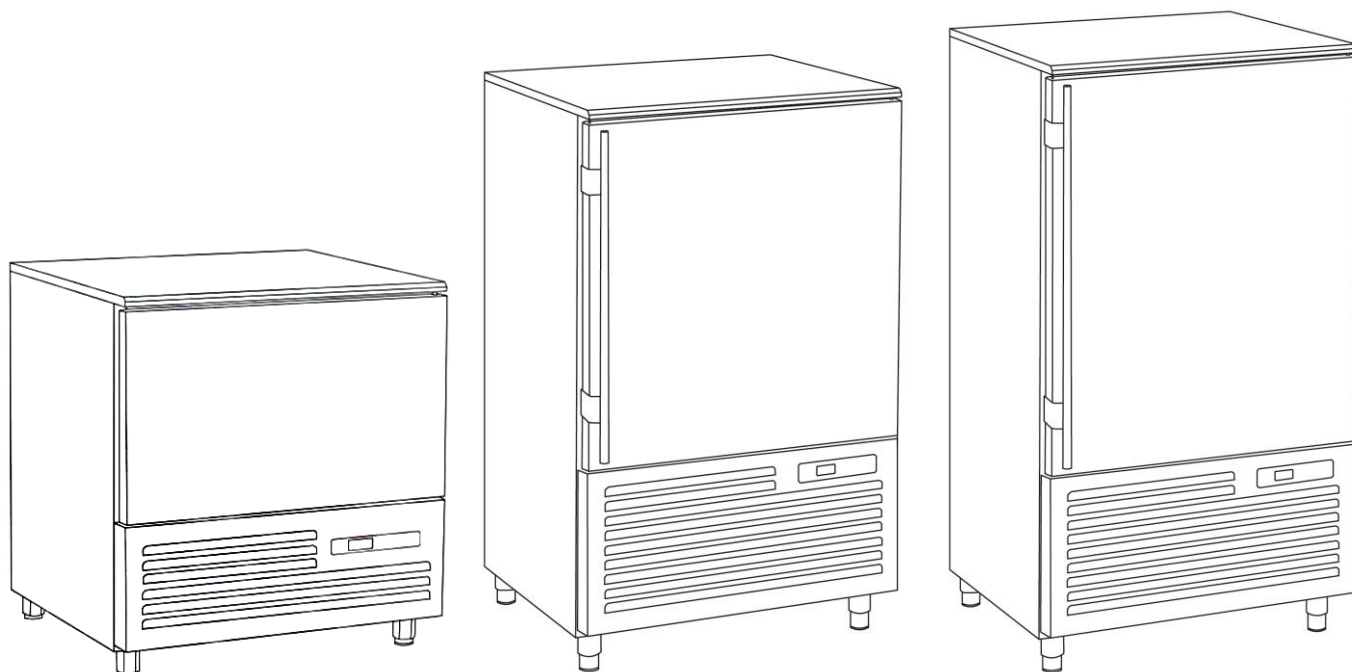


CHEF

Line

GB **Instruction Manual**

IT **Istruzioni d'uso**



Dear Customer,

Congratulations on your purchase of this product.

Please take a few minutes before starting operation of the appliance and read the following operating instructions.



Table of Contents

Product Overview	3
Safety Tips.....	4
Intended Use	5
Location and Installation	6
Operation.....	8
Main Parameters	19
Cleaning, Care & Maintenance	22
Optional Accessory	23
Troubleshooting.....	28
Disposal.....	29
Technical data.....	30
Thermostat connection	30
Warranty.....	31

Product Overview

Article Description
Blast Chiller – N.5 Trays (GN and Euronorm)
Blast Chiller – N.7 Trays (GN and Euronorm)
Blast Chiller – N.10 Trays (GN and Euronorm)

Safety Tips



IMPORTANT: For your safety read the manual carefully before installing or using this product. Save this manual for future reference.

Consult Local and National Standards to comply with the following:

1. Health and Safety at Work Legislation
2. Fire Precautions
3. IEE Wiring Regulations
4. Building Regulations
5. **DO NOT** use the appliance outside.
6. **DO NOT** attempt to service the item yourself.
7. **DO NOT** use damaged appliances. If you are in any doubt, consult service agent.
8. **DO NOT** use electrical appliances inside the appliance (e.g. heaters, ice-cream makers etc.), unless they are of the type recommended by the manufacturer.
9. Keep ventilation openings, in the appliance enclosure or in the built-in structure, clear of obstruction.
10. **DO NOT** use mechanical devices or other means to accelerate the defrosting process, other than those recommended by the manufacturer.
11. **DO NOT** damage the refrigerant circuit.
12. **DO NOT** stand or support yourself on the base, drawers or doors.
13. **DO NOT** allow oil or fat to come into contact with the plastic components or door seal. Clean immediately if contact occurs.
14. This unit can be used by children aged above 8 years and persons with reduced physical, sensory or mental capabilities or lacking of experience and knowledge who have been given supervision or using instruction of the device and understand the resulting risks (for European market).
15. Do not let children play with the appliance.
16. Cleaning and user maintenance must not be carried out by children without supervision.
17. **DO NOT** place combustible, explosive or volatile articles, corrosive acids or alkalis or liquids in the appliance.

Safety Tips

18. **DO NOT** use this appliance to store medical supplies.
19. **DO NOT** use jet/pressure washers to clean the appliance.
20. **DO NOT** allow children to play with the packaging, and dispose plastic bags safely.
21. Bottles that contain a high percentage of alcohol must be sealed and placed vertically in the refrigerator.
22. Always carry, store and handle the appliance in a upright orientation and move by holding the base of the appliance.
23. Always switch off and disconnect the power supply to the unit before cleaning.
24. If the supply cord is damaged, it must be replaced by the manufacturer, its service agent or similarly qualified persons in order to avoid a hazard.
25. This appliance is not intended for use by persons (including children) with reduced physical, sensory or mental capabilities, or lack of experience and knowledge, unless they have been given supervision or instruction concerning use of the appliance by a person responsible for their safety (for market beyond European).
26. Children should be supervised to ensure that they do not play with the appliance.
27. For indoor use only. Not suitable for installation in an area where a water jet could be used. Shall not be cleaned by a water jet.
28. To guarantee safe operation, ensure that the appliance is set up and connected as described in the instruction manual.
29. Any repairs and work on the appliance should only be carried out by the customer service department/ qualified technician.
30. The key to the electrical cabinet should be kept out of the reach of children and users.
31. Do not store explosive substances such as aerosol cans with a flammable propellant in this appliance.

Intended Use

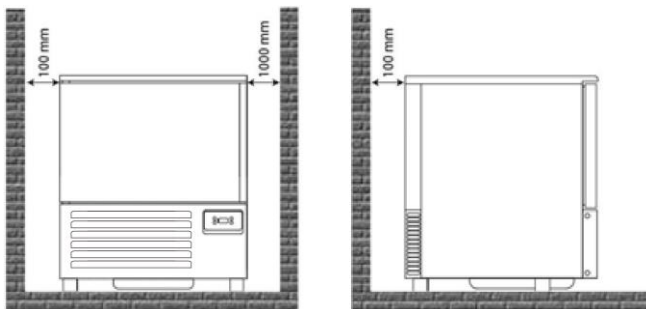
Only use this appliance to blast chilling/freezing food for commercial purposes.

Location and Installation

- Remove the appliance from the packaging. Make sure that all protective plastic film and coatings are thoroughly removed from all surfaces. To prevent injury or damage to the unit, we recommend that the appliance should be unpacked and set up by two people.
- The climatic class can be found on the rating plate. It specifies the ambient temperatures at which the appliance may be operated. The rating plate can be found behind the appliance.

Climate Class	Max. Ambient Temperature	Relative Humidity
3	25	60%
4	30	55%
5	40	40%

- Maintain a distance of 10 cm between the appliance and walls or other objects for ventilation. Increase this distance if the appliance is near an a heat source.



- The appliance should be placed on a solid flat and stable floor to reduce noise and vibration. Level the appliance by adjusting the feet.
- Avoid locating the unit in direct sunlight or near heat sources such as ovens or radiators.
- Please make sure the appliance is properly ventilated.
- Check that the power supply and voltage used comply with the details on the rating plate. The plug must be accessible after installation.
- Correctly connect and disconnect the plug. When inserting ensure the plug is fully engaged. While unplugging hold the body of the plug. Never pull the supply cord directly.
- Is advisable to install a bipolar switch with a NC contact (Normal Close) for the wire section at least 3 mm. between socket and the appliance. This switch is mandatory when the load exceeds 1000 watts or when the blast chiller is connected directly without plug. The thermal-braker switch must be placed near the blast chiller so that it can be clearly visible by the technician in case of maintenance.
- Blast chiller is equipped with a built-in refrigeration engine, is necessary to avoid obstruct the air circulation of the unit in correspondence at front grille, in this way it will allow a correct air exchange. Avoid depositing products or other materials on the perimeter of the blast chiller. Remember that a rise of ambient temperature or insufficient air to the condenser of the refrigeration unit, reduce the performance of the blast chiller with possible deterioration of the products and with more energy consumption.
- If the unit is to be shut down for long period, switch it off and disconnect the plug from socket outlet. Clean the appliance and leave the door open to prevent odour.
- **Important! For your personal safety, this appliance must be properly grounded (earthed).** This appliance is equipped with a cord having a grounding wire with a grounding plug. The plug must be inserted into an outlet that is properly grounded and installed. Consult a qualified electrician or service centre if you do not completely understand the grounding instructions. If doubt exits whether the appliance is properly grounded, have a qualified electrician check the circuit to make sure the outlet is properly grounded.

Location and Installation

- If the cable does not reach the nearest socket, either rearrange your store layout or ask a qualified electrician to fix a new socket.
- If power is cut off, wait for at least 3 minutes before restarting the appliance to avoid damaging the compressor.

Note: If the unit has not been stored or moved in an upright position, let it stand upright for approximately 12 hours before operation.

Note: Before using the appliance for the first time, clean the shelves and interior with soapy water.

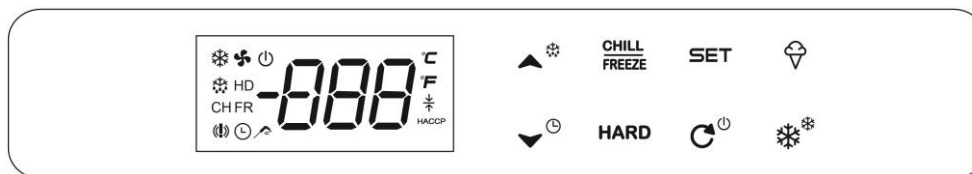
Operation



ATTENTION:

- This is a plug-in unit; once the blast chiller will be connect to supply the item is in **“Stand-by”** mode; on the display the icon (ⓘ) is **ON**.
- For switch **ON** the unit hold **START/STOP** (ⓘ) key for **3s**. The items will display the inner room chamber temperature.
- At the end of the blast chilling cycle, the item switch in automatic to storage mode at a temperature from **+1°C to +4°C**.
- At the end of the blast freezing cycle, the item switch in automatic to storage mode at a temperature from **-20°C to -18°C**.
- To comply with the time required by law, while a blast chilling/freezing cycle is in progress, it is strongly reccomended don't open the door of the blast chiller.

Temperature Setting and Control



Setting parameter key (SET)

Start/Stop cycle; Stand-by mode (ⓘ)

Chilling/Freezing cycle (CHILL/FREEZE)

Arrow DOWN / Time cycle (⏴)

HARD/SOFT cycle (HARD)

Arrow UP / Defrost cycle (⏵)





ICE CREAM cycle (🍦)






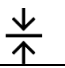

Frost buster (-40°C) Cycle (❄️)

Note: Button combination (*COMBO*) need to be push at the same time in order to activate the function correctly

- **First Combo Keys: Lock or Unlock the keyboard:** If the end user **LOCK IN** the keyboard no additional action will be active, thermostat let blast chiller complete the running cycle/operation in progress.
- To **LOCK IN** press and hold for 3s **▲** and **▼** keys until **“PoF”** label will shows on the display, viceversal to **UNLOCK** press and hold for 3s **▲** and **▼** until **“Pon”** label will show on the display.
- **Second/Third Combo Keys: Enter to the “programming mode”:** End user by pressing **SET+▼** keys for 3s (The **°C** led icon will flashing) and the label of first parameter **“SeF”** will appear on the display. Below the other next steps:
 - Press **SET** key for display **“SeF”** value and press again to proceed with the other parameters.
 - Use **▲** and **▼** keys for change value.
 - Press again **SET** to store the new value and move to following parameter.
 - To exit procedure: Press **SET +▲** or wait **15s** without pressing any key.

Operation

KEY COMBIANTIONS:	
 + 	Keyboard UNLOCK or LOCK combination: lock status does not allow editing the parameters while the instrument function are still active.
SET + 	Enter in the programming mode.
SET + 	Return the room temperature display.





LED ICON DISPLAY LEGENDA:	
	If switch ON a Defrost cycle is in progress.
CH	If switch ON a Chilling cycle is in progress; if flashing cycle has been selected.
FR	If switch ON a Freezing cycle is in progress; if flashing cycle has been selected.
HD	If switch ON a HARD blast mode chilling cycle is in progress.
	If switch ON a temperature-controlled cycle is in progress; if flashing cycle has bee selected (Temperature is detected by Needle probe "n2P").
	If switch ON blast chiller is in "Stand-by" mode.
	If switch ON a time-controlled cycle is in progress; if flashing cycle has bee selected (Temperature is detected by Chamber probe "rNP").
	If flashing a "Storage" cycle is in progress (Temperature is detected by Chamber probe "rNP").
	If switch ON a "Frost buster -40°C" cycle is in progress (Temperature is detected by Chamber probe "rNP").
CH+FR	If switch ON a "ICE CREAM" cycle is in progress, if both of the icons flashing a cycle has been selected (Temperature is detected by Chamber probe "rNP").
	If switch ON an ALARM is in progress, check "trouble shooting" instruction (Page.29)

Note: Alarm icon/Alarm displayed labels:



- When the are one or more than one alarm events, it or them must be visible on the display and buzzer will be **ON** (Acoustic alarm)
- Whatever button will be pushed, the buzzer will be switched **OFF**, but the alarm icon and label will be still visible.
- The alarm icon and labels will be visible until the user will check and acknowledge the alarm situation. Press button **SET** for **5s** to manual reset.

Operation

1. To switching the device ON/Stand-by mode



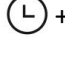
- Hold the START/STOP key  for 3s, the icon  will be **ON**.
- Hold the START/STOP key  for 3s, the icon  will be **OFF** and the display will show the chamber temperature “rNP”.

2. To select Temperature cycle


- Press and release the chilling/freezing cycle key , needle probe icon  + CH will be flashing and selected.

Note: Temperature cycle has been chose as a default setting for both Chilling/Freezing cycle.



3. To select Time cycle

- Press and release the chilling/freezing cycle key , press and hold  key for 3s.
- Time cycle icon  + CH will be flashing and selected.



4. To start or stop the cycle

- Press and release the START/STOP key , the running cycle will be ending and on the display will appear the room temperature “rNP”.





5. How to display “Chamber temperature” probe value.

- Hold the frost buster key  for 3s, the display will show the label “rNP”.
- Press and release **SET** key, the display will show chamber temperature.
- **To exit procedure:** Press and release the combination combo key **SET** +  or don't operate for 3s, the display will show “n2P” value or timing cycle left.

6. How to display “Needle probe temperature” value.

- Hold the frost buster key  for 3s, the display will show the label “rNP”.
- Press and release twice **SET** key, the display will show “n2P”, press **SET** key again for see the needle probe temperature value.
- **To exit procedure:** Press and release the combination combo key **SET** +  or don't operate for 3s, the display will show “rNP” value or timing cycle left.

7. How to activate a Defrosting cycle.



- No any cycle should be selected or in progress
- Hold the UP ARROW key  for 3s, the defrost and fans icons  +  will be **ON** and display will show “dEf” label.
- **To exit procedure: if end user prefer interrupt the defrost cycle,** Press and hold START/STOP key  for 3s, item will be **OFF** and switch to stand-by mode.
- When device will be ending defrost cycle, the display will show room temperature “rNP” value.


Note: not mandatory, but is recommended keep the door open during defrost cycle.





Operation

Blast chilling and freezing functionality



Blast Chilling and Freezing cycle have two main working option: controlled by temperature or by time:


-  If operator chooses **TEMPERATURE** cycle option, temperature will be detected by needle probe “n2P” and cycle will end once needle probe reaches the pre-setting temperature according to value of parameter **+3°C** for chilling and **-18°C** for freezing. After cycle ends the device will switch automatically to “**storage mode**” that will keep the stored food at a pre-setting temperature: chilling **+2°C**; freezing **-20°C** until the storage mode status will be ending by pressing “START/STOP”  key. During the temperature cycle the display will show always the value of needle probe temperature “n2P”. Once storage cycle starts the display will show the value of chamber temperature “rNP”.






Note: End user can modify the pre-setting ending needle probe temperature: (AFTER CYCLE SELECTION but BEFORE PRESS START/STOP  key).

Press and release the **UP** or **DOWN**   keys before start the cycle, the display will show the set point of temperature meantime the “°C” icon start flashing. Then press  or  keys to modify the set point and confirm the new parameter pushing **SET** key. The modify value will be stored.

If end user don't confirm the new value by **SET** key, the device will back to pre-setting temperature value (**-18°C**) after **15s**.

-  If operator chooses **TIME** cycle option, temperature will be detected by chamber probe “rNP” and thermostat display will show pre-setting time cycle of **120 Min.** for chilling and **240 Min.** for freezing. Once chamber temperature reaches a pre-set value of **+3°C** for chilling and **-18°C** for freezing the compressor will stop. Cycle will end once the pre-setting duration cycle time will reach **0 min.** After ending cycle the device will enter in a “**storage mode**” that will keep the stored food at pre- setting temperature according to the value of parameter: chilling **+2°C**; freezing - **20°C** until the storage mode status will be ending by pressing “START/STOP”  key. During the time cycle the display will show time left to finish the cycle. Once storage cycle starts the display will show the value of chamber temperature “rNP”.

Note: End user can modify the pre-setting time as follow: (AFTER CYCLE SELCTION BUT BEFORE PRESS START/STOP  key).

Press and release the **UP** or **DOWN**   keys before start the cycle, the display will show the presetting time cycle in decimal unit (1 = 1min.) meantime the “°C”+CH+  icons start flashing. Then press  or  keys to modify the time and confirm the new time value pushing **SET** key. The modify value will be stored.

If end user don't confirm the new value by **SET** key, the device will back to pre-setting time value (**120 min.**) after **15s**.

Operation

Possible operation cycles:

- **SOFT CHILLING CYCLE**
- **HARD CHILLING CYCLE**
- **SOFT FREEZING CYCLE**
- **HARD FREEZING CYCLE**
- **ICE CREAM CYCLE**
- **FROST BUST -40°C CYCLE**














Soft Chilling cycle

Operate as follows to start the Temperature soft chilling cycle:

The temperature-controlled Soft Blast Chilling cycle is split in the following 2 phases:

- Blast Chilling
- Storage

SOFT cycle is used when the end user wants a smooth blast chilling process (Chamber temperature will never go down to a negative temperature); during the first phase the setting point of chamber temperature is **0.0°C** (“**rs1**” parameter value). Once the needle probe reaches temperature of **+3°C** (“**is1**” parameter value) the **SOFT BLAST CHILLING PHASE** stops

1. Press and release one time **Blast Chiling**  key to select the cycle with temperature-control: the Chill  led icon and Needle probe  led icon will start flashing.
2. To select TIME cycle, press one time Blast Chilling  +  keys for 3s, the time led icon  will be flashing and selected.
3. Press and release START/STOP  key to start temperature Chilling cycle: the Compressor LED icon  +  plus  and needle probe  led icon will switch **ON** permanently. (Time cycle will be **ON**  instead).
4. Once the needle probe temperature reaches the pre-setting point or time cycle is ending, a visual and acoustic alarm will notify the ending cycle, the unit will start a storage cycle and led icon  will flashing.

Note: During the storage cycle the display will show chamber temperature “**rNP**”.

Operation












Hard Chilling cycle

Operate as follows to start the Temperature hard chilling cycle:

The temperature-controlled Hard Blast Chilling cycle is split in the following 3 phases:

- Blast Chilling Hard phase
- Blast chilling
- Storage

HARD cycle is used when the end user wants a fast blast chilling process (Chamber temperature will keep always a negative temperature); during the first phase the setting point of chamber temperature will be **-20°C** (“rS1” parameter value). Once the Needle probe reaches temperature of **+10°C** (“iS1” parameter value) the **HARD BLAST CHILLING PHASE** stops and a **SOFT** blast chilling cycle starts.

1. Press and release one time **Blast Chilling**  key to select the cycle with temperature-control: the Chill CH led icon and Needle probe  led icon will start flashing.
2. Press and release HARD/SOFT key: the **HARD** led icon **HD** will switch **ON**.
3. To select TIME cycle, press one time Blast Chilling  +  keys for 3s, the time led icon  will be flashing and selected.
4. Press and release START/STOP  key to start temperature Chilling cycle: the Compressor LED icon  +  plus CH and needle probe  led icon will switch **ON** permanently. (Time cycle will be **ON**  instead).
5. Once the needle probe temperature reaches the pre-setting point or time cycle is ending, a visual and acoustic alarm will notify the ending cycle, the unit will start a storage cycle and led icon  will flashing.

Note: During the storage cycle the display will show chamber temperature “rNP”.

Soft Freezing cycle

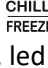
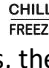
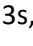






Operate as follows to start the Temperature soft freezing cycle:

The temperature-controlled Soft Freezing cycle is split in the following 3 phases:

6. Blast Freezing Soft phase
7. Blast Freezing
8. Storage

Operation

SOFT cycle is used when the end user wants a smooth freezing process (during the soft phase the chamber temperature will never go down to a negative temperature). Once the needle probe reaches temperature of **+3°C** (“**iS1**” parameter value) the **SOFT BLAST FREEZING PHASE** stops and a Blast freezing cycle starts.

1. Press twice and release **Blast Freezing**  keys, the Freeze **FR** led icons will start flashing.
2. Press one time **HARD/SOFT** key **HARD**, led icon **HD** will be **OFF**.
3. To select **TIME** cycle, press twice **Blast Freezing**  key, the freeze **FR** led icon will be flashing, press one time **HARD**+  keys for 3s, the time led icon  will be flashing and icon **HD** will switch **OFF**.
4. Press and release **START/STOP**  key to start freezing soft cycle: the Compressor LED icon  plus **FR** and needle probe  led icon will switch **ON** permanently. (Time cycle will be **ON**  instead).
5. Once the needle probe temperature reaches the pre-setting point or time cycle is ending, a visual and acoustic alarm will notify the ending cycle, the unit will start a storage cycle and led icon  will flashing.

Note: During the storage cycle the display will show chamber temperature “**rNP**”.

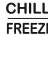

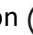

Hard Freezing cycle

Operate as follows to start the Temperature hard freezing cycle:


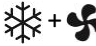



The temperature-controlled hard Freezing cycle is split in the following 3 phases:

- Blast Chilling Hard phase
- Blast Freezing
- Storage

HARD cycle is used when the end user wants a fast blast freezing process (Chamber temperature will reach a temperature of **-20°C** (“**rS1**” parameter value). Once the needle probe reaches a temperature of **+3°C** (“**iS2**” parameter value) the **HARD BLAST CHILLING PHASE** stops and a **BLAST FREEZING** phase start.

1. Press twice and release **Blast Freezing**  keys, the Freeze **FR** led icons will start flashing and **HARD** led icon will be **ON**.
2. To select **TIME** cycle, press twice **Blast Freezing**  key, the freeze **FR** led icon will be flashing, hold  keys for 3s, the time led icon  will be flashing.


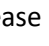


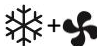
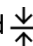

Operation

3. Press and release START/STOP  key to start freezing hard cycle: the Compressor LED icon  plus FR, HD and needle probe  led icon will switch **ON** permanently. (Time cycle will be **ON**  instead).
4. Once the needle probe temperature reaches the pre-setting point or time cycle is ending, a visual and acoustic alarm will notify the ending cycle, the unit will start a storage cycle and led icon  will flashing.

Note: During the storage cycle the display will show chamber temperature “rNP”.




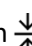

Ice Cream cycle

Note: Needle probe can not be used for the following steps (Temperature will be detected by chamber probe “rNP”)

1. Press and release **Ice cream**  key, the CH, FR and  led icons will start flashing, and display will show **210Min.**
2. Press one time START/STOP  key, a pre-cooling cycle will be starting (**for 20min.**) and once the internal temperature reach **-20°C** (“rSP” parameter value) the compressor will stop, after **5min.** will restart and work for keep temperature at **-20°C**.
After 20Min. thermostat will activate the buzzer for 15 times to advise end user that the pre-cooling cycle is complete.
Note: CH, FR and  switch **ON** permanently;  will be **ON** and  will flashing.
3. The door of blast chiller can be open and store ice cream pans inside the room for a maximum of 6 pans each time.
4. Ice Cream cycle will be running for **3.5 Hours** according to setting value of parameter “rS1”
5. Once the ice cream cycle is end, thermostat will activate again the buzzer for 15 times to advise end user that the ice-cream cycle is complete. The device switch automatically to a storage mode that will keep stored ice cream at a presetting temperature of **-20°C** until the cycle will stop from end user pressing START/STOP  key.

Frost bust cycle (-40°C)

Note: Needle probe can not be used for the following steps (Air room temperature will be detected by chamber probe “rNP”). This operation is suggested for freeze the surface of stored food by -40°C

1. Press and release **Frost bust**  key, the  led icon will flashing.
2. Press one time HARD/SOFT  key, a Frost Bust (-40°C) cycle will start and icon  will be **ON** permanently.
3. The cycle will ending only once end user will press START/STOP  key.
4. When inner room temperatue reach -40°C compressor will be stopped and will restart once the interior temperature will reach -37°C (“rS2” parameter value)

Operation

The blast chiller is suitable for a fast dropping food product temperature (see the table with the temperatures in relation to the product to freeze).

Do not put directly in the blast chiller food just taken out from the oven, wait few minutes before placing the product inside the chamber and start the cycle.

Please note that the time to reduce the product temperature depends on several factors such as:

- The shape, the type, and the thickness of the material in which the food is stored
- Where the food is stored is covered by lid or not.
- The physical characteristics of the food: density, water content and fat content.
- The food temperature conditions before "blast chilling/freezing".

The time setting for blast chilling cycle needs to be set according to the kind and/or weight of the food.

SELECTION MODE OF THE BLAST CYCLE (Positive or Negative temperature)

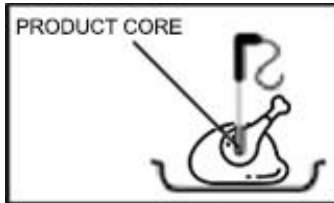
The following modes of blast chilling cycle can be selected:

- By time: If end user knows the exact time of food blast chilling/freezing. When the cycle finishes the appliance will switch automatically to storage mode.
- By temperature: with needle sensor probe to be inserted in the food core; set the temperature of the food for blast chilling/freezing. The probe detects the set temperature, after 1 acoustic signal the blast chiller will switch to storage mode (see needle probe sensor position chapter).

Blast chilling Cycle	Cycle speed	Kynd of food	Load	Cycle at food core
POSITIVE	Full speed	For all dense foods and large sizes	Max 4 Kg for tray	+3°C MAX 90Min.
NEGATIVE	Full speed	For all dense foods and large sizes	3 Kg	Until to -18°C (240 minutes)
	Reduced speed	Delicate products, vegetables, creams, spoon desserts, small size products		

Operation

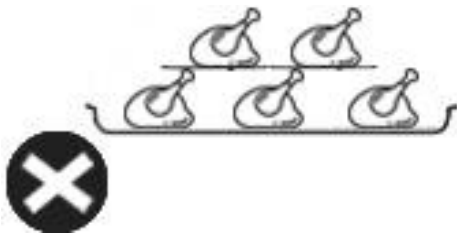
TEMPERATURE MEASUREMENT AT PRODUCT CORE



When the product thickness allows, use always the temperature needle probe in order to know the exact temperature reached at the product core. It is suggested to not interrupt the blast chilling cycle before it has reached the temperature of **+3 °c**, in positive cycle and **-18°C** for the negative cycle.

HOW TO LOAD FOOD

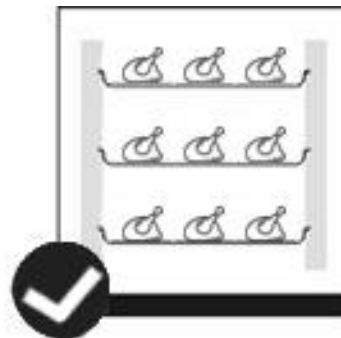
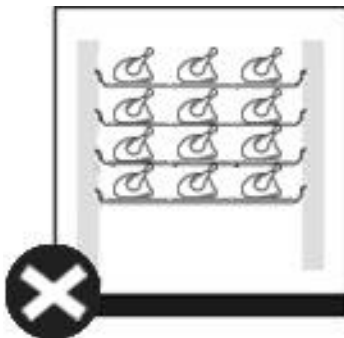
Food must not be overlaid.



SPACE BETWEEN TRAYS

In order to ensure a good air circulation in the blast chiller chamber:

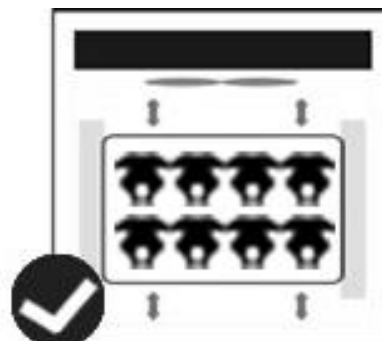
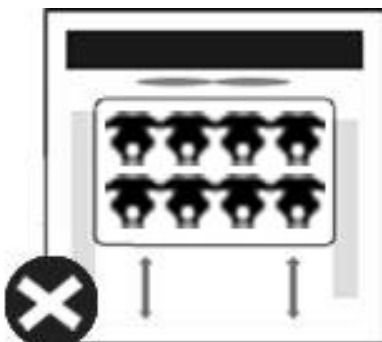
- Keep a space (at least 65mm) between the trays:



TRAYS POSITION

In order to ensure an appropriate blast chilling/freezing cycle:

- The trays should not be positioned close to the evaporator
- Keep enough space between tray and chamber walls



Operation

STORAGE OF FOOD AFTER BLAST CHILLING CYCLE

The blast chilling/freezing food can be stored in the refrigerator and keep the organoleptic qualities up to 5 days from the blast chilling cycle. It is important to respect the “cold chain”, keeping a constant temperature between $0^{\circ}\text{C} \div 4^{\circ}\text{C}$, depending on the food. Using the vacuum technique, the storage time can be increased up to about 15 days.

STORAGE OF FOOD AFTER BLAST FREEZING CYCLE

The frozen food can be stored in the refrigerator maintaining the organoleptic qualities for several months from the blast freezing cycle.

Food after a blast freezing cycle can be safely stored for a period of 3 to 18 months, depending on the kind of food. It is important to respect a storage temperature equal or less than -20°C .



WARNING

Do not leave the cooked food at ambient temperature for long time before starting blast chilling/freezing cycle.

Avoid moisture leakage, there is a risk to lose the preserved properties of the food.

Food after blast chilling/freezing must be protected by a food film (better if vacuum-packed) with a label indicating the next information:

- Content
- Preparation day
- Expiration date



WARNING

Food already defrosted can not be frozen again

Main Parameters

Blast chiller device have N.2 Level of programming mode:

- **FIRST LEVEL:** “pr1” for standard machine parameter that are belong to secondary functionality.
- **SECOND LEVEL:** Are all sensible parameter belong the 5 main functionality cycle. (N.5 Cycle because FROST BUST cycle is not included, since follow the parameter “SEF” present in the FIRST LEVEL list).

FIRST LEVEL:

- Hold the combination keys **SET** + ▼ for 3s, the led icons °C and °F start flashing.
- Press and release the **UP** or **DOWN** ▲ ▼ keys for select parameter.
- Press and release **SET** key to display the value
- Press and release the **UP** or **DOWN** ▲ ▼ keys for change value.
- Press and release **SET** key to store the new value and move to the following parameters
- **To exit procedure:** Press and release the combo combination key **SET** + ▲ or don't operate for 15s










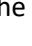
Parameter	Min.	Max.	Unit	Value	Description
SEF	-50	+50	°C/°F	-40	Set point for frost bust (-40°C)
Hy	0.1	12	°C/°F	3	Compressor hysteresis
AC	0	30	Min.	5	Compressor restart delay
rPo	-12	+12	°C/°F	-1	Thermostat probe calibration
P2P	N	Y	-----	Y	Needle probe presence
ot2	-12	+12	°C/°F	-1	Needle probe 2 calibration
CF	---	---	°C/°F	°C	Temperature measurement unit
rES	In	dE	-----	In	Resolution (for °C)
odc	-----	-----	-----	Fan	Nor, Fan, F-C
MdF	0	255	Min.	15	Maximum length for defrost
dFd	-----	-----	-----	dEF	Rt, it, SET, dEF
Fdt	0	60	Min.	2	Drip time
FnC	-----	-----	-----	o - Y	o-n, Cn, o-Y, Cy
ALU	ALL	+50°C	°C/°F	50	Maximum temperature alarm
ALL	-50°C	ALU	°C/°F	-50	Manimum temperature alarm
AHY	0.1	12	°C/°F	2	Alarm recovery differential
ALd	0	255	Min.	15	Temperature alarm delay
bUt	0	60	Sec.	12	Buzzer activation at the end of the cycle


Main Parameters

SECOND LEVEL: for the following cycle

- **SOFT CHILLING CYCLE**
- **HARD CHILLING CYCLE**
- **SOFT FREEZING CYCLE**
- **HARD FREEZING CYCLE**
- **ICE CREAM CYCLE**

Note: for the **FROST BUST** Cycle check the previous parameter tab Pr1 (SEf parameter value)

- Press suitable keys in order to select one of the operation cycle (refer to page.12)
- Led icons identify the cycle with the following correspondence:
 - a) Soft Chilling (CH Led Icon) : corresponding key 
 - b) Hard Chilling (CH+HD Led Icons) : corresponding key 
 - c) Soft Freezing (FR Led Icon) : corresponding key 
 - d) Hard Freezing (FR+ HD Led Icons) : corresponding key 
 - e) Ice Cream (CH+FR Led icons) corresponding key 
 - f) Hold the corresponding key for 3s, until the display show first parameter label “**cyS**”
- Press and release the **UP** or **DOWN**   keys for select parameter.
- Press and release **SET** key to display the value
- Press and release the **UP** or **DOWN**   keys for change value.
- Press and release **SET** key to store the new value and move to the following parameters
- **To exit procedure:** Press and release the combo combination key **SET** +  or don't operate for 15s

Labels	CH CHILL FREEZE	CH+ HD CHILL FREEZE	FR CHILL FREEZE	FR+HD CHILL FREEZE	CH+ FR 	Description
cyS	tEP	tEP	tEP	tEP	Tim	Cycle setting
dbC	no	no	no	no	no	Defrost before cycle
dbH	no	no	no	no	no	Defrost end of cycle/before storage
cap	yes	yes	yes	yes	yes	Storage mode after cycle
rSP	-----	-----	-----	-----	-20	Set point room pre-cooling phase
PdP	-----	-----	-----	-----	20:00	Max duration time pre-cooling phase
iS1	3	10	3	-18	-----	Set point for needle probe for the first phase
rS1	0.0	-20	0.0	-37	-41	Chamber set point for the first phase
Pd1	02:00	01:20	02:30	04:00	03:30	Timed cycle for the first phase
iS2	-----	3	-18	-----	-----	Set point for needle probe for the second phase
rS2	-----	0.0	-37.0	-----	-----	Chamber set point for the second phase
Pd2	OFF	00:40	01:30	OFF	OFF	Timed cycle for the second phase
HdS	2.0	2.0	-20.0	-20.0	-20.0	Set point of the hold phase

Main Parameters

Parameter	Meaning
cyS	Cycle setting tEP: by temperature; the cycle is done according to the rEM parameter tiM: Timed cycle, based on the Pd1,Pd2,Pd3 (Option parameter)
dbC	Defrost before cycle Yes = defrost is carried out No = the cycle starts immediately without defrosting
dbH	Defrost end of cycle/before storage Yes = defrost is carried out No = the storage phase starts immediately
cap	Storage mode after cycle Yes = storage phase is carried out No = the storage phase is disabled
rSP	Set point room pre-cooling phase When the temperature measured by the chamber probe reaches this value, the current phase is finished and the next one starts
PdP	Max duration time pre-cooling phase This is the maximum duration of the pre-cooling phase if the temperature defined in parameter rSP is not reached at the end of this time it switched to the next phase (Only available on the ice cream cycle)
iS1	Set point for insertion probe for the first phase When the temperature measured by the insert probes reaches this value, the current phase is finished and next one starts
rS1	Chamber set point for the first phase It prevents temperature from reaching a too low value. This value controls the operation of the compressor
Pd1	If the cycle is timed for the first phase It is considered if the insert probe is not present (OFF to 4h 00Min., res 10Min.) at the end of this time it switches to next phase. If the cycle is temperature for the first phase This value is used only if there is an insert probe; this is the maximum duration of the first phase if the temperature defined in parameter iS1 is not reached.
iS2	Set point for insertion probe for the second phase When the temperature measured by the insert probes reaches this value, the current phase is finished and the next one started.
rS2	Chamber set point for the second phase It prevents temperature from reaching a too low value. This value controls the operation of the compressor.
Pd2	If the cycle is timed for the second phase It is considered if the insert probe is not present (OFF to 4h 00Min., res 10Min.) at the end of this time it switches to next phase. If the cycle is temperature for the second phase This value is used only if there is an insert probe; this is the maximum duration of the second phase in the event the temperature in the parameter iS2 is not reached.
HdS	Set point of the hold phase

Cleaning, Care & Maintenance

Routine maintenance

Switch OFF and disconnect from the power supply before cleaning.

- Clean the enclosure and interior of the appliance as often as possible.
- Blast chiller maintenance must include at least one daily cleaning of the loading zone to prevent the development and accumulation of bacteria.
- Before cleaning the chamber, perform a defrost cycle leaving the door open and removing the drain plug.
- Blast chiller defrosting cycle is performed in manual mode and can be performed with open door
- After the appliances finishes the blast chilling/freezing cycle, the drain plug of the waste water must be removed so that the condensate water will flow into the tank. The drain pipe also serves to drain out any liquids of the product.
- At the end of each defrost cycle check the water level and if necessary empty the tray (located underneath the unit).
- Clean the unit with moist cloth. Never allow the switch, control panel, cable or plug to get wet.
- Do not use abrasive cleaners, products containing chlorine, caustic soda, muriatic acid, vinegar and chlorine bleach. These can leave harmful wastes. Use only neutral soap and water.
- Clean the door seal with water only.
- Ensure that no cleaning water penetrates into the electrical components.
- Must not be cleaned by a water jet.
- Always wipe dry after cleaning with soft cloth.
- Do not allow water used in cleaning to run through the drain hole into the evaporation pan.
- Take care when cleaning the rear of the appliance.
- An agent or technician must carry out repairs if required.
- If the appliance is to be left inactive for long periods, unplug the appliance after having turned the switch to **OFF** position, empty the refrigerating compartment and clean thoroughly.
- Blast chiller maintenance must include at least one daily cleaning of the temperature needle probe.
- It is recommended to deeply rinse the needle probe with clean water and a sanitizing solution

Special maintenance

The instructions given in the following paragraph can be followed from qualified technicians

- Periodically clean the condenser using suitable tools (vacuum cleaner or soft brushes) can extend the life of the appliance.
- Check that the electrical connections are not loose.
- Check that the thermostat and the sensor are in proper working order.

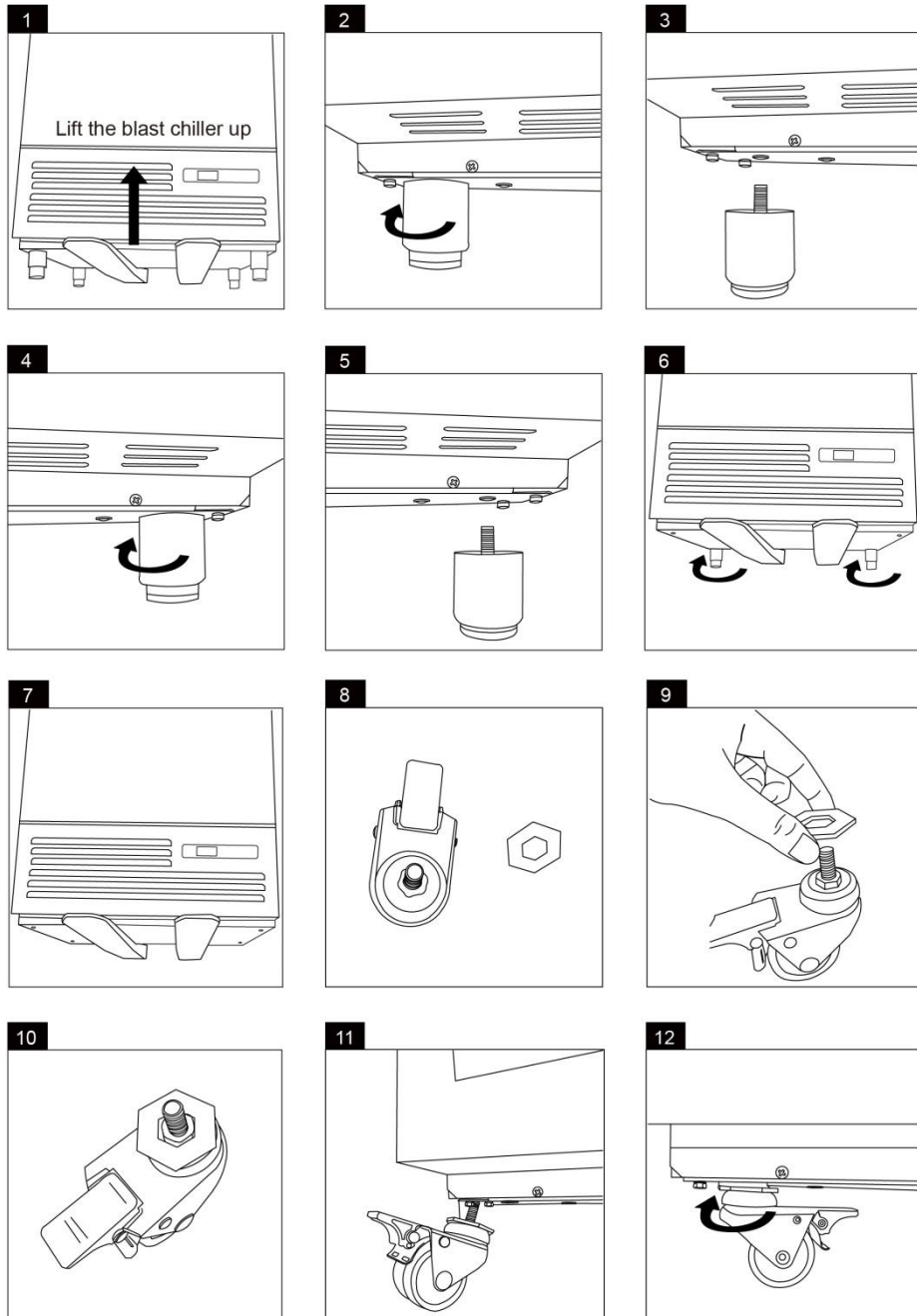
Optional Accessory

Four pieces of Castor

Positioning: Two castors with break to be fixed at the bottom front and two castors with no break to be fixed at the bottom rear.

Procedure: Follow the 12 steps below to change the footings to castors.

Note: If you intend to purchase optional accessories, please ask our sales staff for advice.

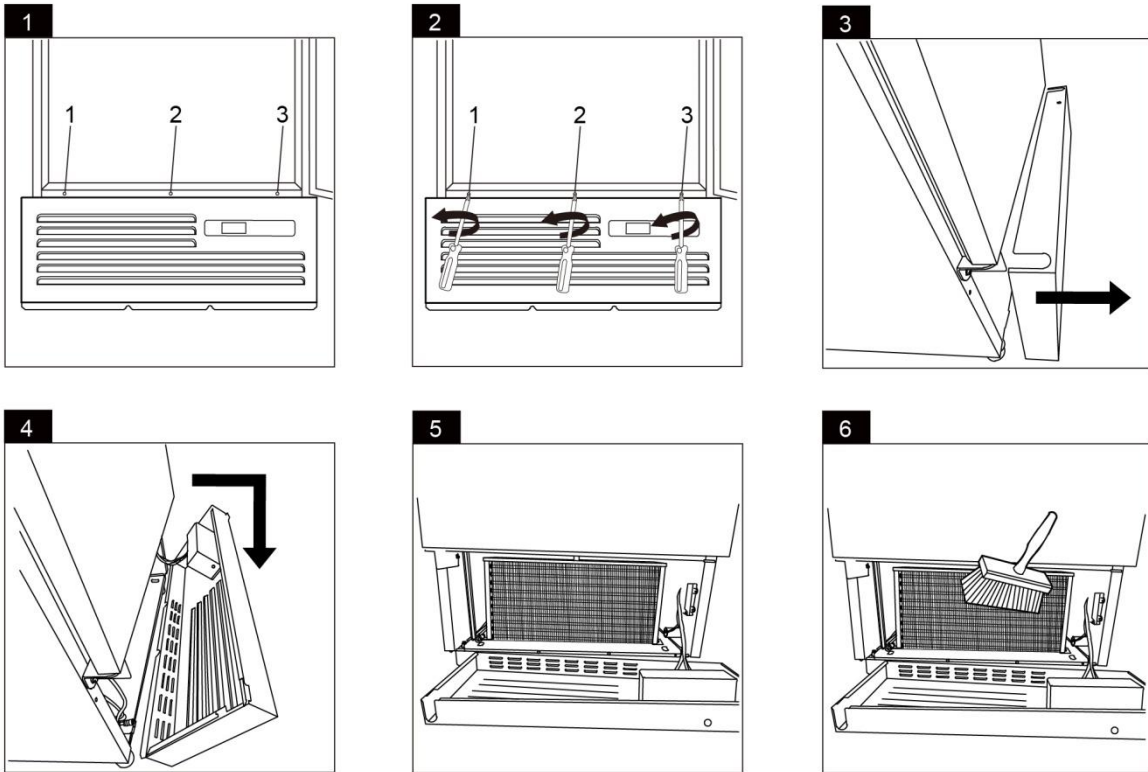


Caution:

- Unplug the appliance from main socket before change.
- Securing the fork lift before change.
- Securing all drawers, shelves, lids and doors before change.
- Empty the cabinet before change.
- Lock the brake on the caster after change.

Optional Accessory

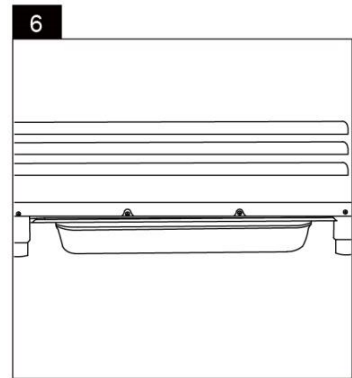
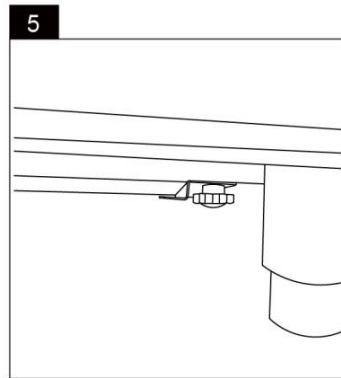
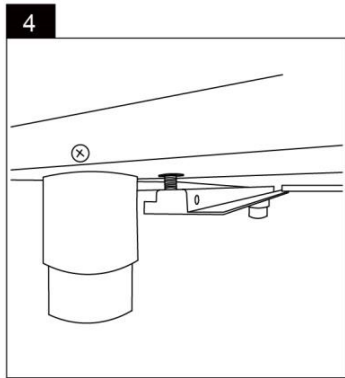
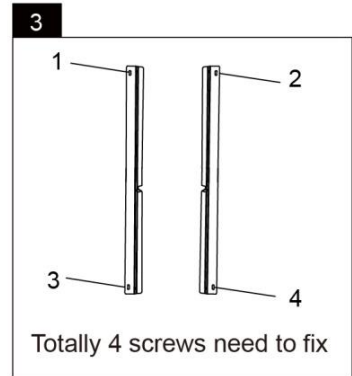
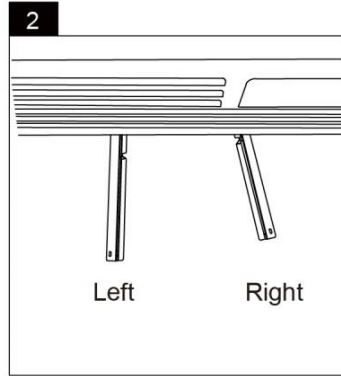
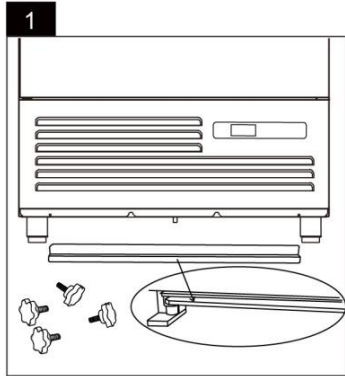
How to clean the condenser



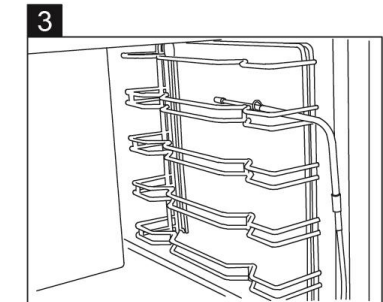
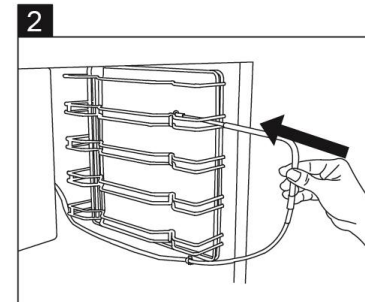
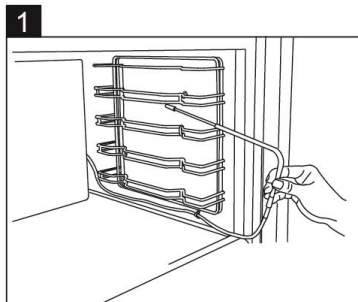
Note: These operation on the appliance should only be carried out by the customer service department or qualified technician due expose to live parts and risk of shock hazard.

Optional Accessory

How to assembly water tray (GN1/1 water tray not included in the assembly kit)

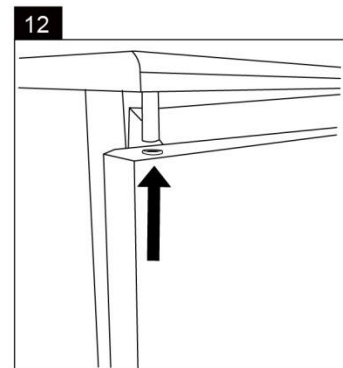
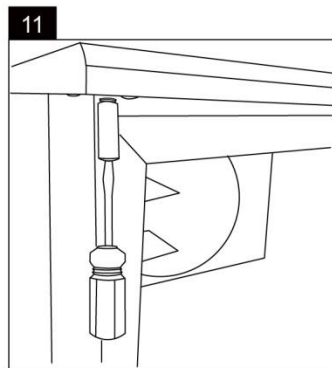
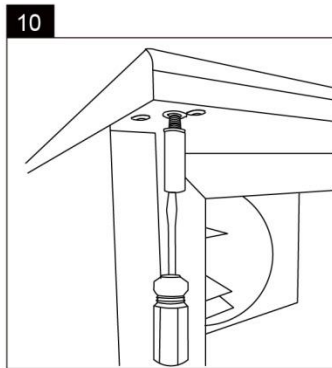
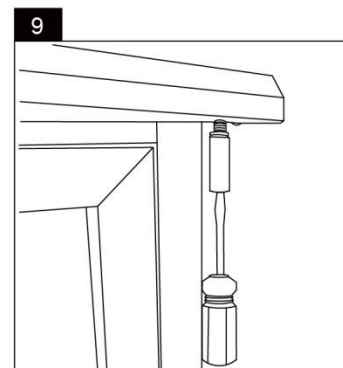
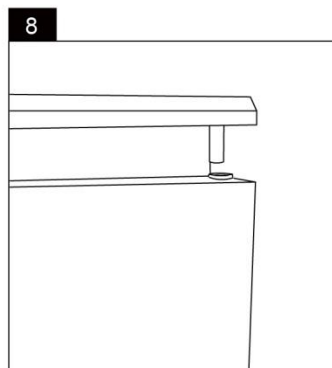
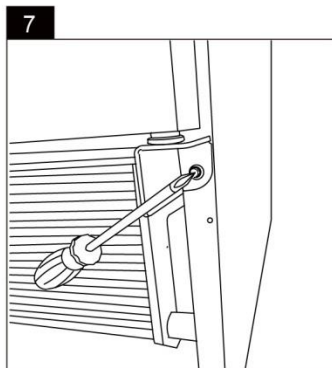
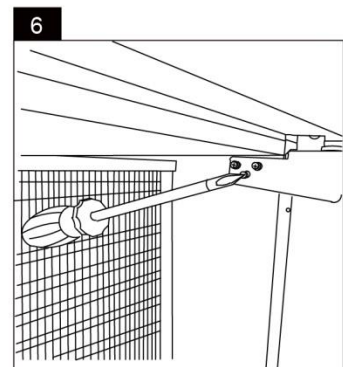
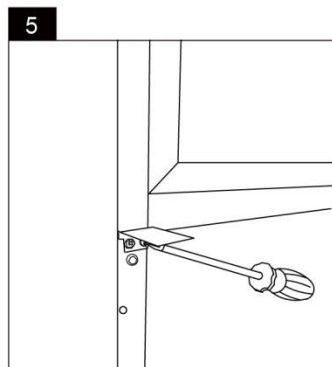
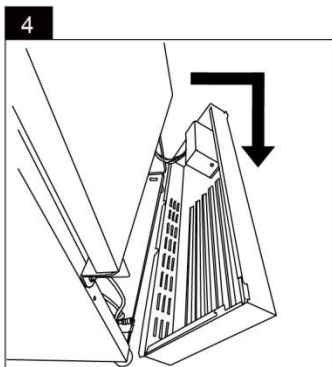
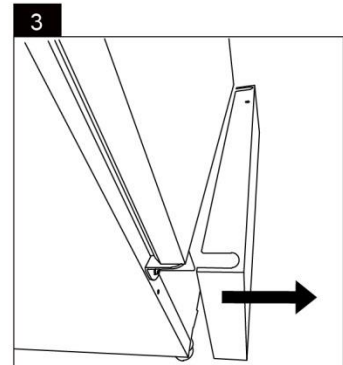
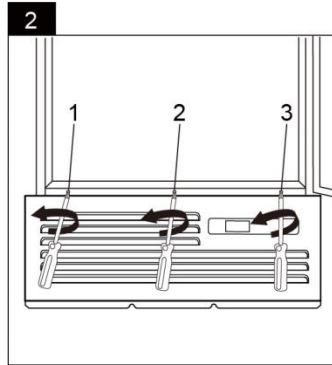
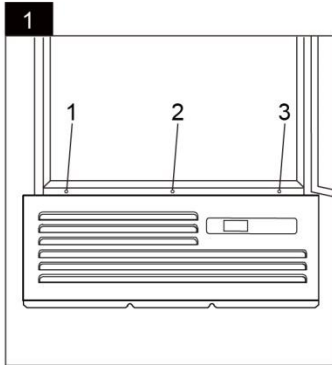


Where to store the needle probe meantime is not used

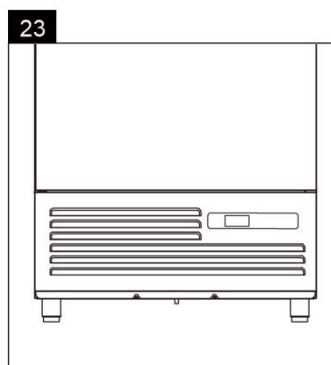
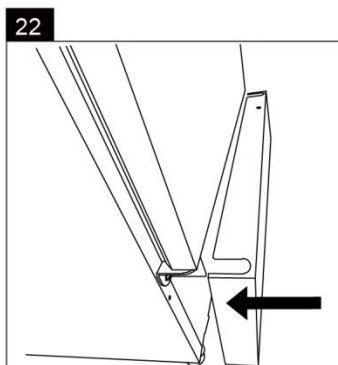
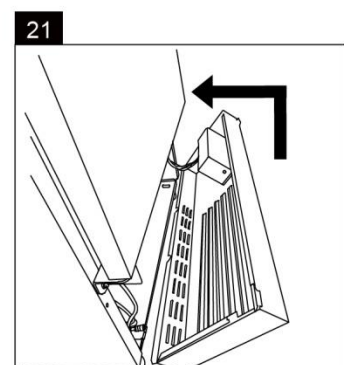
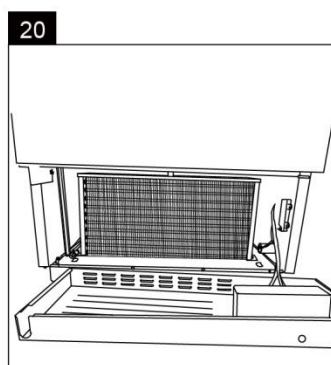
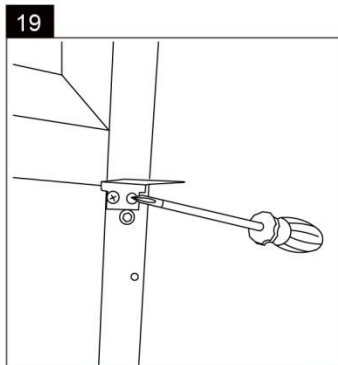
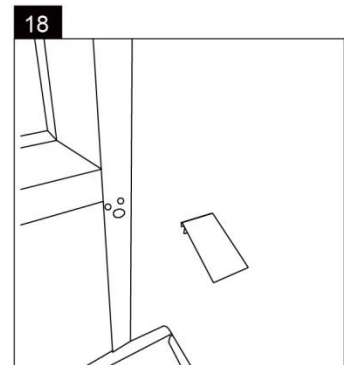
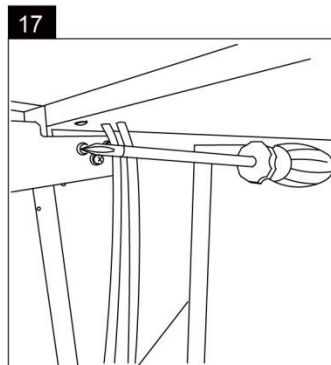
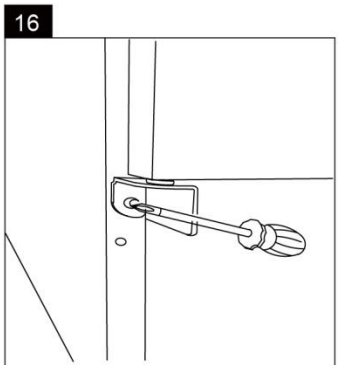
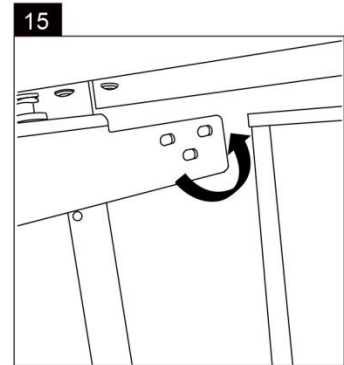
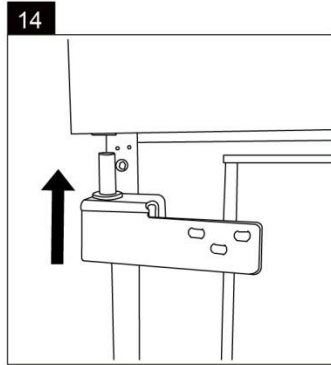
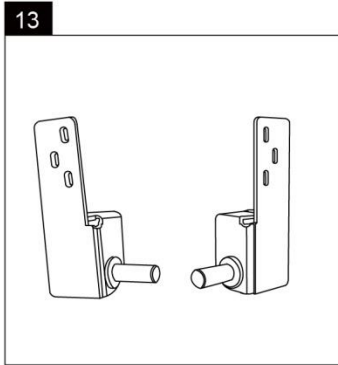


Optional Accessory

How to reverse the door



Optional Accessory



Troubleshooting

Fault	Potential Failure	Problem solving action
The appliance is not working	The unit is not switched on	Check the unit is plugged in correctly and switched on
	Plug and/ or lead are damaged	Call your agent or qualified technician
	Fuse in the plug has blown	Replace the fuse (UK Plug)
	Power supply	Check power supply
The appliance turns on, but the temperature is too high/ low	Too much ice on the evaporator	Defrost the appliance
	Condenser blocked with dust	Call your agent or qualified technician
	Doors are not shut properly	Check doors are shut and seals are not damaged
	Appliance is located near a heat source or air flow to the condenser is being interrupted	Move the refrigerator to a more suitable location
	Ambient temperature is too high	Increase ventilation or move appliance to a cooler position
	Unsuitable foodstuffs are being stored in the appliance	Remove any excessive hot foodstuffs or blockages to the fan
	Appliance is overloaded	Reduce the amount of food stored in the appliance
The appliance is unusually loud	Loose nut/ screw	Check and tighten all nuts and screws
	The appliance has not been installed in a level or stable position	Check installation position and change if necessary
The appliance is leaking water	The appliance is not properly leveled	Adjust the screw feet to level the appliance (if applicable)
	The discharge outlet is blocked	Clear the discharge outlet
	Movement of water to the drain is obstructed	Clear the floor of the appliance (if applicable)
	The water container is damaged	Call your agent or qualified Technician
	The drip tray is overflowing	Empty the drip tray (if applicable)
Alarm: rPf	Room probe failure	Compressor output according to parameters Con and Cof
Alarm: EPF	Evaporator Probe failure	Fans depend on FnC . Defrost ends in time
Alarm: AH	Maximum temperature alarm	Outputs unchanged. (manual reset)
Alarm: LA	Minimum temperature alarm	Outputs unchanged.
Alarm: OCF	The maximum cycle time has been exceeded	Outputs unchanged. In any case the cycle ends when the final temperature is reached (Manual reset)
Alarm: dA	Door open alarm	According the "rrd" to control fans and compressor
Alarm: CPA	Compressor Protection alarm	Outputs unchanged.

Disposal

If the appliance is no longer of use and you wish to dispose of it, remove doors to prevent any small child from being trapped inside. Then please do in an environmentally correct way.

Contact a qualified service technician:

1. To recover all Freon/refrigerant
2. To remove the compressor or remove the oil from the compressor
3. To remove the flammable insulation blowing gases

Then the distributor/retailer can contact their local metal recycling center to pick up the remaining cabinet, shelves, etc.

There may be special requirements or conditions. You can obtain information on the disposal of refrigeration appliances from:

- Your supplier
- Government authorities (The local council, Ministry of the Environment, etc.)

By law, disposal of hazardous wastes may be subject to fines and imprisonment under the provisions of the environmental regulations.

1. The refrigerant of this unit is a hydrocarbon refrigerant and is covered by the Kyoto Protocol.
2. Releasing the refrigerant to the atmosphere will harm the environment by contributing to the global warming. The Global Warming Potential (GWP) of R134a is 1430, of R404a is 3922, of R600a/R290 is 3.

Disposal



Discarded electric appliances are recyclable and should not be discarded in the domestic waste! Please actively support us in conserving resources and protecting the environment by returning this appliance to the collection centres (if available).



Dispose of packaging in accordance to applicable legal regulations.

Technical data

Model	Blast Chiller (5 - 7 - 10 Trays)
Climate Class	Please refer to the information indicated on the product. You will find the information on the rating plate on the back of the unit. The circuit diagram is displayed on the back of the unit.
Temperature Range (°C)	
Refrigerant Gas	
Refrigerant Charge	
Rated Frequency	
Rated Voltage	
Rated Current	
Rated Power	
Lamp power	
Net Weight	
Net capacity (Kg)	
Shelf load (Kg)	
Foaming Agent	

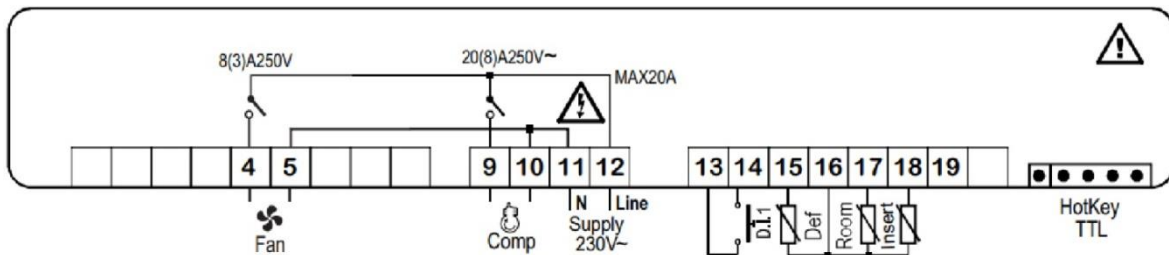


CAUTION: RISK OF FIRE AND EXPLOSION WITH FLAMMABLE REFRIGERANT R600a/R290.

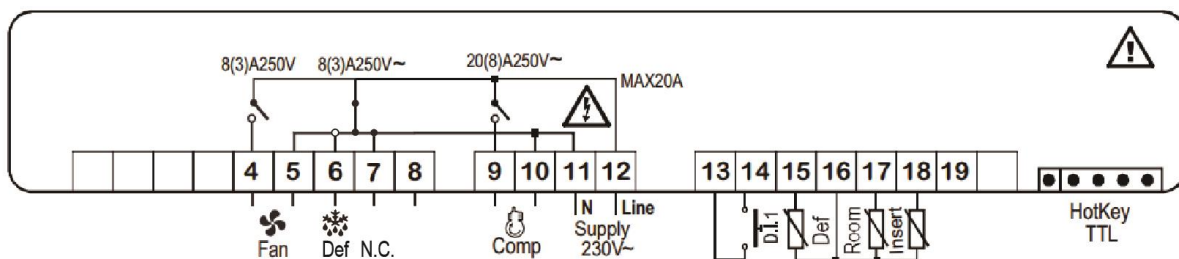


Thermostat connection

Thermostat for blast chiller 5 – 7 Trays



Thermostat for blast chiller 10 Trays



Warranty

A statutory warranty applies for this product.

Damages caused by wrong treatment or operation, by false placement or storage, improper connection or installation, as well as force or other external influences are not covered by this warranty. We recommend careful reading of the operating instructions as it contains important information.

Note:

1. In case this product does not function correctly, please firstly check if there are other reasons, e.g. for electrical appliances interruption of the power supply, or generally incorrect handling are the cause.
2. Please note that, where possible, the following documents or rather information should be provided together with your faulty product:
 - Purchase receipt
 - Model description/ Type/ Brand
 - Describe the fault and problem as detailed as possible

In the case of a claim for guarantee or defects, please contact the seller.

GWL 8/14 EN



CHEEF

Line

Gentile cliente,

Congratulazioni per l'acquisto di questo prodotto. Prenditi qualche minuto prima di iniziare a utilizzare l'apparecchio e leggi le seguenti istruzioni operative.



Contenuto

Panoramica Prodotto.....	35
Suggerimenti di sicurezza	36
Uso Previsto.....	37
Luogo e installazione	38
Funzionamento.....	40
Parametri principali	52
Pulizia, assistenza e manutenzione	55
Accessorio opzionale	56
Risoluzione dei problemi	61
Smaltimento	62
Dati Tecnici ..	63
Cablaggio termostato	63
Garanzia	64

Panoramica Prodotto

Descrizione articolo
Abbattitore - (N.5 Teglie - GN e Euronorm)
Abbattitore - (N.7 Teglie - GN e Euronorm)
Abbattitore - (N.10 Teglie - GN e Euronorm)

Suggerimenti di sicurezza



IMPORTANTE: Per la propria sicurezza leggere il manuale attentamente prima di installare o usare questo prodotto. Conservare il presente manuale per futuro riferimento.

Consultare gli Standard locali e nazionali per garantire la conformità con quanto segue:

1. Legislazione sulla salute e sicurezza sul posto di lavoro
2. Precauzioni antincendio
3. Regole cablaggio IEE
4. Regole sugli edifici
5. **NON** usare l'apparecchio all'esterno.
6. **NON** tentare di riparare l'apparecchio da soli.
7. **NON** usare apparecchi danneggiati. In caso di dubbi, consultare il servizio di assistenza.
8. **NON** usare dispositivi elettrici all'interno dell'apparecchio (p.e. riscaldatori, gelatiere ecc..), fatto salvo il caso in cui siano del tipo raccomandato dal fabbricante.
9. Tenere le aperture di ventilazione, nell'alloggiamento dell'apparecchio o nella sua struttura integrata, libere da ostruzioni.
10. **NON** usare dispositivi meccanici o altri mezzi per accelerare il processo di scongelamento, diversi da quelli raccomandati dal fabbricante.
11. **NON** danneggiare il circuito refrigerante.
12. **NON** stare in piedi o appoggiarsi sulla base, cassette o porte.
13. **NON** consentire a grasso od olio di entrare in contatto con i componenti in plastica o la guarnizione della porta. Pulire immediatamente in caso di contatto.
14. Questa unità può essere usato da un bambino di età superiore a 8 anni e da persone con capacità fisiche, sensoriali o mentali ridotte o con mancanza di esperienza e conoscenza, a condizione che queste ultime sia stata fornita la supervisione o le istruzioni concernenti l'uso dell'apparecchio in modo sicuro e che comprendano i pericoli coinvolti (per il mercato Europeo).
15. Non lasciare che i bambini giochino con l'apparecchio.
16. La pulizia e la manutenzione utente non devono essere realizzate da bambini senza supervisione.
17. **NON** posizioni articoli combustibili, esplosivi o volatili, acidi corrosivi o alcali o liquidi all'interno dell'apparecchio.
18. **NON** usare questo apparecchio per conservare medicinali.

Suggerimenti di sicurezza

19. **NON** usare dispositivi di lavaggio a getto/pressione per pulire l'apparecchio.
20. **NON** consentire ai bambini di giocare con l'imballaggio e smaltire i sacchetti di plastica in modo sicuro.
21. Le bottiglie che contengono una percentuale di alcol devono essere sigillate e posizionate verticalmente nel frigorifero.
22. Trasportare, conservare e manipolare sempre l'apparecchio in posizione verticale e spostarlo utilizzando la base dell'apparecchio.
23. Spegnerne e scollegare sempre l'alimentazione dall'unità prima della pulizia.
24. Se danneggiato, il cavo deve essere sostituito dal produttore, da un suo addetto all'assistenza o da personale parimenti qualificato, al fine di evitare pericoli.
25. Il presente apparecchio non è concepito per l'utilizzo da parte di persone (bambini compresi) con capacità fisiche, sensoriali o mentali ridotte, o con mancanza di esperienza o conoscenza, fatto salvo il caso in cui sia loro fornita la supervisione o le istruzioni concernenti l'uso dell'apparecchio da una persona responsabile della loro sicurezza (per il mercato Europeo).
26. I bambini devono essere supervisionati da un adulto per evitare che giochino con l'apparecchio.
27. Esclusivamente per uso interno. Non idoneo per l'installazione in un'area in cui potrebbe essere raggiunto da un getto d'acqua. Non deve essere pulito con un getto d'acqua.
28. Per garantire il funzionamento sicuro, accertarsi che l'apparecchio sia configurato e collegato come descritto nel manuale d'uso.
29. Qualsiasi riparazione e lavoro sull'apparecchio deve essere realizzato dal dipartimento assistenza cliente/tecnico qualificato.
30. La chiave del quadro elettrico deve essere tenuta fuori dalla portata dei bambini e degli utenti.
31. Non conservare oggetti esplosivi, come bombolette spray contenenti propellente infiammabile, all'interno del dispositivo.

Uso Previsto

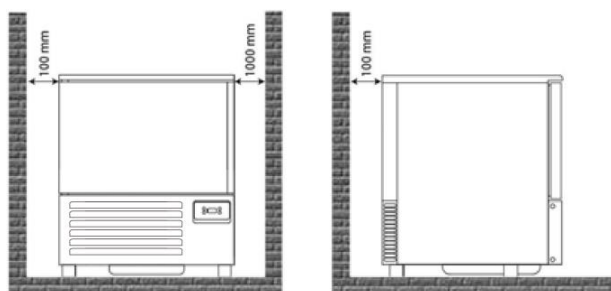
Questo apparecchio può essere utilizzato esclusivamente per l'abbattimento di temperatura positivo e negativo di cibi a fini commerciali.

Luogo e installazione

- Rimuovere l'apparecchio dall'imballaggio. Assicurarsi che tutte le pellicole protettive di plastica e i rivestimenti vengano completamente eliminati da tutte le superfici. Per evitare lesioni o danni all'unità, si consiglia di disimballare ed installare l'apparecchio in presenza di due persone.
- La classe climatica è indicata sulla targhetta d'identificazione. Essa indica entro quali limiti di temperature ambiente l'apparecchio può essere usato. La targhetta d'identificazione si trova sul retro dell'apparecchio.

Classe climatica	Max. temperature ambiente	Umidità relative
3	25	60%
4	30	55%
5	40	40%

- Mantenere una distanza di 10 cm tra l'apparecchio e le pareti o altri oggetti per garantire una corretta ventilazione. Aumentare questa distanza se l'ostacolo è una fonte di calore.



- Questo apparecchio deve essere posizionato su un pavimento piano e solido per ridurre il rumore e la vibrazione. Livellare l'apparecchio regolando la base di appoggio.
- Evitare di posizionare l'unità alla luce diretta del sole o vicino a fonti di calore come forni o radiatori.
- Accertarsi che l'apparecchio sia correttamente ventilato.
- Verificare che l'alimentazione e la tensione utilizzate siano conformi ai dati riportati sulla targhetta. Dopo l'installazione, la spina deve essere accessibile
- Collegare e staccare correttamente la spina. Quando si inserisce la spina, assicurarsi che sia completamente innestata. Quando si scollega trattenere il corpo della spina. Non tirare mai direttamente il cavo di alimentazione.
- Si consiglia di montare un interruttore bipolare (o quadri polare) di sezionamento con apertura dei contatti di almeno 3 mm, a monte della presa. Questo interruttore è obbligatorio quando il carico supera i 1000 Watt o quando l'abbattitore viene collegato direttamente senza l'impiego della spina. L'interruttore magnetotermico deve essere posto nelle immediate vicinanze dell'abbattitore in modo tale che esso possa essere ben visibile dal tecnico in caso di manutenzione.
- L'abbattitore è dotato di unità refrigerante incorporata, si deve evitare di ostruire le prese d'aria dell'unità in corrispondenza della griglia frontale di aspirazione aria, in questo modo si permetterà un corretto ricambio d'aria. Evitare dunque di depositare prodotti o altri materiali sul perimetro dell'abbattitore. Ricordiamo che un innalzamento della temperatura ambiente o un'insufficiente quantità di aria al condensatore dell'unità frigorifera, riducono le prestazioni dell'abbattitore con possibile deterioramento dei prodotti esposti e con maggior consumo di energia.
- Se l'unità deve essere spenta per un periodo di tempo prolungato, spegnerla e scollegare la spina dalla presa a parete. Pulire l'apparecchio e lasciare la porta aperta per prevenire cattivi odori.
- **Importante! Per la vostra sicurezza personale, questo apparecchio deve essere correttamente messo a terra.** Questo apparecchio è dotato di un cavo con un filo e una spina di messa a terra. La spina va inserita in una presa correttamente installata e messa a terra. Se le istruzioni di messa a terra non fossero completamente chiare, consultare un elettricista o un centro di assistenza qualificato. Se esiste il dubbio che l'apparecchio non sia correttamente collegato a massa, fare controllare il circuito da un elettricista qualificato per accertarsi che la presa sia correttamente messa a terra.

Luogo e installazione

- Se il cavo non raggiunge la presa elettrica più vicina, riorganizzare la disposizione dell'arredamento oppure rivolgersi a un elettricista per l'installazione di una nuova presa elettrica.
- Se l'alimentazione viene interrotta, attendere almeno 3 minuti prima di riavviare l'apparecchio per evitare danni al compressore.

Nota: Se l'unità non è stata conservata o spostata in posizione verticale, lasciarla in posizione verticale per circa 12 ore prima dell'uso.

Nota: Prima di usare l'apparecchio per la prima volta, pulire gli scaffali e l'interno con acqua saponata.

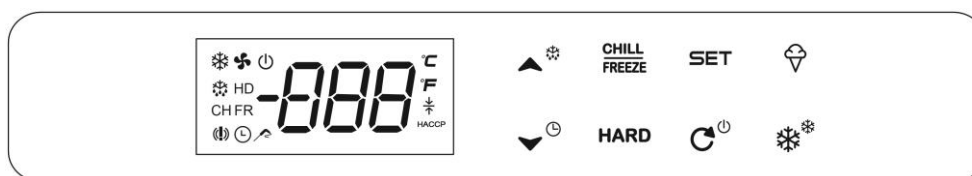
Funzionamento



ATTENZIONE:

- Questo abbattitore è un modello “plug-in”; una volta alimentato il prodotto si avvierà in modalità “Stand by”; sul display apparirà l'icona (⏻) in rosso
- Per iniziare un'operazione sull'abbattitore tenere premuto il tasto START/STOP (⏻) per 3s, il display mostrerà la temperatura all'interno della camera.
- Al termine della fase di abbattimento positivo si ha il passaggio automatico in modalità conservazione ad una temperatura da +1°C a +4°C.
- Al termine della fase di abbattimento negativo si ha il passaggio automatico in modalità conservazione ad una temperatura da -20°C a -18°C.
- Per rispettare i tempi di abbattimento previsti per legge, mentre è in corso un ciclo di abbattimento, è vivamente sconsigliato aprire la porta dell'abbattitore.

Impostazione e controllo della temperatura



Pulsante per Settaggio (SET)

Ciclo Start/Stop; Modalità Stand-by (⏻)

Abbattimento positivo/negativo (CHILL FREEZE)

Freccia BASSO / Ciclo a tempo (⏻)

Ciclo HARD/SOFT (HARD)

Freccia ALTO / Ciclo sbrinamento (⏶)





Ciclo GELATO (🍷)








Frost buster (Ciclo -40°C) (❄️)

Nota: Le combinazioni (COMBO) dei pulsanti devono essere permutate in contemporanea per avere la corretta attivazione della funzione richiesta.

- **Prima COMBO: Abilitazione e Disabilitazione tastiera:** se l'operatore disabilita la tastiera del termostato l'abbattitore non permetterà l'attivazione di nessun ciclo supplementare, porterà invece a termine solo il ciclo già iniziato.
- Per **DISABILITARE** la tastiera premere contemporaneamente i tasti ⏶ e ⏷ per 3s, il display visualizzerà la scritta “PoF”. Viceversa per **ABILITARE** la tastiera premere ⏶ e ⏷ il display visualizzerà la scritta “Pon”.
- **Seconda/Terza COMBO: “programming mode”:** l'operatore può entrare nella lista parametri premendo i tasti SET+ ⏷ per 3s (L'icona LED °C comincerà a lampeggiare) e il primo parametro “SeF” apparirà sul display. Di seguito i passi successivi:
 - Premere il tasto SET per visualizzare il valore del parametro.
 - Usare i tasti ⏶ e ⏷ per cambiare il valore del parametro.
 - Premere ancora SET per salvare il nuovo valore e passare al parametro successivo.
 - Per uscire: Premere SET + ⏶ o attendere 15s senza premere nessun tasto.

Funzionamento

COMBINAZIONI (COMBO) TASTI	
 + 	Combo per ABILITAZIONE o DISABILITAZIONE tastiera, una tastiera disabilitata non permette all'operatore di entrare nella lista parametri mentre uno dei cicli di abbattimento è in esecuzione.
SET + 	Visualizzazione parametri
SET + 	Ritorno alla visualizzazione della temperatura in camera





LEGENDA ICONE LED SUL DISPLAY TERMOSTATO	
	Se acceso, un ciclo di sbrinamento è in esecuzione.
CH	Se acceso, un ciclo di abbattimento positivo è in esecuzione, se lampeggia invece il ciclo di abbattimento positivo è stato selezionato.
FR	Se acceso, un ciclo di abbattimento negativo è in esecuzione, se lampeggia invece il ciclo di abbattimento negativo è stato selezionato.
HD	Se acceso, un ciclo di abbattimento HARD è in esecuzione.
	Se acceso, un ciclo di abbattimento a "Temperatura controllata" è in esecuzione (Positivo o Negativo), se lampeggia invece il ciclo è stato selezionato. (Temperatura rilevata dalla sonda spillone "n2P").
	Se acceso, l'abbattitore è in modalità " Stand-by ".
	Se acceso, un ciclo di abbattimento a "Tempo controllato" è in esecuzione (Positivo o Negativo), se lampeggia invece il ciclo è stato selezionato. (Temperatura rilevata dalla sonda camera "rNP").
	Se lampeggia, l'abbattitore è in modalità "conservazione" (Temperatura rilevata dalla sonda camera "rNP").
	Se acceso, l'abbattitore sta eseguendo un ciclo di FROST BUSTER (-40°C)" (Temperatura rilevata dalla sonda camera "rNP").
CH+FR	Se acceso, l'abbattitore sta eseguendo un CICLO per GELATO (Temperatura rilevata dalla sonda camera "rNP").
	Se acceso un allarme è in corso, controllare il paragrafo "Risoluzione dei problemi" (Page.62)

Nota: Icona allarme/Visualizzazione tipologia di allarme:



- Quando sono presenti uno o più allarmi, la/le tipologie di allarme saranno visibili sul display del termostato e il buzzer si attiverà (Allarme acustico).
- Qualsiasi pulsante venga premuto, il buzzer verrà disabilitato ma l'icona led e il tipo di allarme sul display resteranno visibili.
- L'icona allarme e la sua visualizzazione sul display rimarrà visibile fino a quando l'operatore non ne identificherà la causa. Tenere premuto il pulsante **SET** per **5s** per effettuare un reset manuale dell'unità.

Funzionamento

1. Accensione del prodotto ON/Modalità Stand-by.




- Tenere premuto pulsante START/STOP  per **3s**: il  led si accenderà.
- Dalla modalità “Stand-by” ad acceso “ON”, tenere premuto il pulsante START/STOP  per **3s**: il  led si spegnerà e sul display verrà visualizzata la temperatura della camera “rNP”

2. Come selezionare un ciclo di TEMPERATURA.

- Premere e rilasciare il pulsante abbattimento  l'icona della sonda a spillone +CH lampeggerà e il ciclo sarà selezionato.

Nota: il ciclo di abbattimento positivo a temperatura è stato scelto come ciclo di default dell'unità.


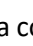
3. Come selezionare un ciclo TEMPORIZZATO

- Premere e rilasciare il pulsante abbattimento , poi tenere premuto pulsante  per **3s**.
- L'icona LED +CH del ciclo temporizzato lampeggerà e il ciclo sarà selezionato.


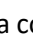
4. Come avviare o arrestare un ciclo di abbattimento

- Premere e rilasciare il pulsante START/STOP , il ciclo in esecuzione si arresterà e sul display verrà visualizzata la temperatura della camera “rNP”.





5. Come visualizzare il valore “temperatura della camera”

- Tenere premuto il tasto FROST BUST  per **3s**, il display visualizzerà “rNP”.
- Premere una volta il tasto **SET**, sul display verrà visualizzata la temperatura della camera
- **Per terminare la procedura:** Premere e rilasciare la combo **SET** +  o non operare per almeno **3s**, sul display verrà visualizzato il valore “n2P” oppure il tempo rimanente del ciclo temporizzato.

6. Come visualizzare il valore “temperatura della sonda spillone”

- Tenere premuto il tasto FROST BUST  per **3s**, il display visualizzerà “rNP”.
- Premere due volte il tasto **SET**, sul display verrà visualizzato il valore della sonda “n2P” (Sonda spillone), premere ancora **SET** per visualizzarne il valore.
- **Per terminare la procedura:** Premere e rilasciare la combo **SET** +  o non operare per almeno **3s**, sul display verrà visualizzato il valore di “rNP” oppure il tempo rimanente del ciclo temporizzato.



7. Come attivare un ciclo di “Sbrinamento”.


- Nessun ciclo deve essere selezionato oppure essere in corso.
- Tenere premuto la freccia **ALTO**  per **3s**: le icone led di sbrinamento + si accenderanno e sul display apparirà la scritta “def”.
- **Per terminare la procedura:** per interrompere il ciclo di sbrinamento tenere premuto START/STOP , l'abbattitore passerà in modalità stand-by.
- Se portato a completamento invece, alla fine del ciclo il display visualizzerà la temperatura interna della camera “rNP”.



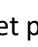

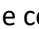
Funzionamento

Funzioni per l'abbattimento positivo e negativo

I cicli di abbattimento positivo e negativo hanno due tipologie di lavoro principali: possono essere a "Temperatura controllata" oppure "Temporizzati"



-  Se l'operatore sceglie il ciclo a "**TEMPERATURA CONTROLLATA**", la temperatura viene rilevata dalla sonda spillone "**n2P**" e il ciclo terminerà quando si raggiungerà la temperatura pre-impostata nei parametri (**+3°C** per abbattimento positivo e **-18°C** per abbattimento negativo). Al termine del ciclo l'abbattitore cambierà in automatico lo stato di lavoro ed entrerà in modalità "**conservazione**" che manterrà il cibo ad una temperatura pre-impostata: **+2°C** con abbattimento positivo e **-20°C** con abbattimento negativo fino a quando non verrà premuto nuovamente il tasto START/STOP . Durante i cicli di abbattimento a "**temperatura controllata**" il display mostrerà sempre la temperatura della sonda spillone "**n2P**", appena entrerà in modalità conservazione mostrerà invece la temperatura della camera "**rNP**".


Attenzione: L'operatore può modificare il valore del parametro per il pre-settaggio della sonda spillone (solo DOPO la selezione del ciclo e prima di premere il pulsante START/STOP .



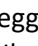
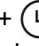



Agendo sui pulsanti freccia **ALTO**  e freccia **BASSO**  prima di iniziare il ciclo di abbattimento; il display visualizzerà il set point mentre l'icona led  lampeggerà. Tramite i tasti   modificare il valore di set e confermare premendo **SET**.

Il nuovo settaggio è ora impostato.

Se non confermato il nuovo valore premendo **SET** l'abbattitore tornerà automaticamente al valore di temperatura pre-settata inizialmente (**-18°C**) in **15s**.

-  Se l'operatore sceglie il ciclo "**TEMPORIZZATO**" la temperatura viene rilevata dalla sonda camera "**rNP**" e sul display del termostato verrà visualizzato il tempo pre-impostato nei parametri: **120 Min.** per abbattimento positivo e **240 Min.** per abbattimento negativo. Una volta che la temperatura della camera combacerà con i valori di settaggio impostati: **+3°C** per abbattimento positivo e **-18°C** per abbattimento negativo il compressore si fermerà. Il ciclo a tempo continuerà fino allo scadere del tempo pre-impostato (fino a quando sul display non verranno raggiunti gli **0 Min.**). Al termine del ciclo l'abbattitore cambierà in automatico lo stato di lavoro ed entrerà in modalità "**conservazione**" che manterrà il cibo ad una temperatura pre-impostata: **+2°C** con abbattimento positivo e **-20°C** con abbattimento negativo fino a quando non verrà premuto nuovamente il tasto START/STOP . Una volta entrato in modalità conservazione sul display si verrà visualizzata invece la temperatura della camera "**rNP**".

Attenzione: L'operatore può modificare il tempo pre-impostato (solo DOPO la selezione del ciclo e prima di premere il pulsante START/STOP .

Agendo sui pulsanti freccia **ALTO**  e freccia **BASSO**  prima di iniziare il ciclo di abbattimento; il display visualizzerà il "pre-setting time" in valore decimale (1 = 1Min.) mentre le icone led    lampeggeranno. Tramite i tasti   modificare il valore tempo e confermare premendo **SET**. Il nuovo settaggio è ora impostato.

Se non confermato il nuovo valore premendo **SET** l'abbattitore tornerà al valore di tempo pre-settata inizialmente (**120Min.**) in **15s**.

Funzionamento

Possibili cicli operative di abbattimento:

- CICLO ABBATTIMENTO POSITIVO SOFT
- CICLO ABBATTIMENTO POSITIVO HARD
- CICLO ABBATTIMENTO NEGATIVO SOFT
- CICLO ABBATTIMENTO NEGATIVO HARD
- CICLO "GELATO"
- CICLO "FROST BUST" (-40°C)












Ciclo abbattimento Positivo Soft

Seguire le seguenti istruzioni per iniziare un ciclo di abbattimento positivo soft:

Ciclo di abbattimento positivo soft a temperatura controllate è suddiviso nelle seguenti 2 fasi:

- Abbattimento positivo Soft
- Conservazione

Il Ciclo **SOFT** viene utilizzato quando l'operatore vuole un ciclo di abbattimento positivo regolare (La camera non scenderà mai ad una temperatura negativa). Durante la prima fase il set-point della temperatura della camera sarà **0.0°C** (Valore parametro "**rS1**"). Una volta che la sonda spillone raggiungerà una temperatura di **+3°C** (Valore parametro "**iS1**") la fase **ABBATTIMENTO POSITIVO SOFT** sarà terminata.

1. Premere e rilasciare il pulsante di abbattimento  per selezionare la modalità a "Temperatura controllata": il led CH e il led sonda spillone  inizieranno a lampeggiare.
2. Per selezionare il ciclo temporizzato invece, tenere premere la combo  +  per **3s**, l'icona LED tempo  inizierà a lampeggiare e il ciclo temporizzato sarà selezionato.
3. Premere e rilasciare il pulsante START/STOP  per iniziare il ciclo positivo: i led  +  del compressore, il led CH e il led sonda spillone  resteranno accesi in modo continuo (Icona led  nel caso di ciclo temporizzato).
4. Una volta che la sonda spillone raggiunge il valore di pre-setting, un allarme acustico e visivo segnalerà che il ciclo è finito, l'abbattitore entrerà in modalità conservazione e il led  lampeggerà.

Attenzione: Durante la modalità conservazione il display visualizzerà la temperatura camera "**rNP**".

Funzionamento












Ciclo abbattimento Positivo Hard

Seguire le seguenti istruzioni per iniziare un ciclo di abbattimento positivo hard:

Ciclo di abbattimento positivo hard a temperatura controllata è suddiviso nelle seguenti 3 fasi:

- Abbattimento positivo Hard
- Abbattimento positive Soft
- Conservazione

Il Ciclo **HARD** viene utilizzato quando l'operatore vuole un ciclo di abbattimento positivo veloce (La camera scenderà ad una temperatura negativa). Durante la prima fase il set-point della temperatura della camera sarà **-20°C** (Valore parametro "**rS1**"). Una volta che la sonda spillone raggiungerà una temperatura di **+10°C** (Valore parametro "**iS1**") il ciclo **HARD** si fermerà e comincerà un ciclo di abbattimento positivo **SOFT**.

1. Premere e rilasciare il pulsante di abbattimento  per selezionare la modalità a "Temperatura controllata": il led CH e il led sonda spillone  inizieranno a lampeggiare.
2. Premere e rilasciare il pulsante HARD/SOFT **HARD**: l'icona Led HD si accenderà.
3. Per selezionare il ciclo temporizzato invece, tenere premere la combo  +  per **3s**, l'icona LED tempo  inizierà a lampeggiare e il ciclo temporizzato sarà selezionato.
4. Premere e rilasciare il pulsante START/STOP  per iniziare il ciclo positivo: i led  +  del compressore, il led CH e il led sonda spillone  resteranno accesi in modo continuo (Icona led  nel caso di ciclo temporizzato).
5. Una volta che la sonda spillone raggiunge il valore di pre-setting, un allarme acustico e visivo segnalerà che il ciclo è finito, l'abbattitore entrerà in modalità conservazione e il led  lampeggerà.

Attenzione: Durante la modalità conservazione il display visualizzerà la temperatura camera "**rNP**".

Funzionamento



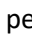






Ciclo abbattimento Negativo Soft

Seguire le seguenti istruzioni per iniziare un ciclo di abbattimento negativo soft:

Ciclo di abbattimento negativo soft a temperatura controllate è suddiviso nelle seguenti 3 fasi:

- Abbattimento negativo Soft
- Abbattimento negativo
- Conservazione

Il Ciclo **SOFT** viene utilizzato quando l'operatore vuole un ciclo di abbattimento negativo regolare (La camera non scenderà mai ad una temperatura negativa durante la prima fase soft). Una volta che la sonda spillone raggiungerà una temperatura di **+3°C** (Valore parametro "iS1") il ciclo **SOFT** si fermerà e comincerà un normale ciclo di abbattimento negativo.

1. Premere due volte il pulsante di abbattimento  per selezionare la modalità a "Temperatura controllata": il led **FR** inizierà a lampeggiare.
2. Premere e rilasciare il pulsante **HARD/SOFT HARD**: l'icona Led **HD** si spegnerà.
3. Per selezionare il ciclo temporizzato invece, premere due volte il pulsante di abbattimento , l'icona led **FR** comincerà a lampeggiare, premere una volta la combo **HARD + ▼** per **3s**, l'icona LED tempo  inizierà a lampeggiare, l'icona **HD** si spegnerà e il ciclo temporizzato sarà selezionato.
4. Premere e rilasciare il pulsante **START/STOP**  per iniziare il ciclo negativo: i led  +  del compressore, il led **FR** e il led sonda spillone  resteranno accesi in modo continuo (Icona led  nel caso di ciclo temporizzato).
5. Una volta che la sonda spillone raggiunge il valore di pre-setting o il ciclo temporizzato sarà terminato, un allarme acustico e visivo segnalerà che il ciclo è finito, l'abbattitore entrerà in modalità conservazione e il led  lampeggerà.

Attenzione: Durante la modalità conservazione il display visualizzerà la temperatura camera "rNP".

Funzionamento






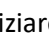
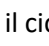


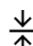
Ciclo abbattimento Negativo Hard

Seguire le seguenti istruzioni per iniziare un ciclo di abbattimento negativo hard:

Ciclo di abbattimento negativo hard a temperatura controllata è suddiviso nelle seguenti 3 fasi:

- Abbattimento positivo Hard
- Abbattimento negativo
- Conservazione

Il Ciclo **HARD** viene utilizzato quando l'operatore vuole un ciclo di abbattimento negativo veloce. La camera scenderà ad una temperatura negativa di **-20°C** (Valore parametro "rS1"). Una volta che la sonda spillone raggiungerà una temperatura di **+3°C** (Valore parametro "iS2") il ciclo **POSITIVO HARD** si fermerà e un ciclo di abbattimento **NEGATIVO** comincerà.


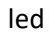

1. Premere due volte il pulsante di abbattimento  per selezionare la modalità a "Temperatura controllata": il led **FR** inizierà a lampeggiare e l'icona **HD** resterà accesa.
2. Per selezionare il ciclo temporizzato invece, premere due volte il pulsante di abbattimento , l'icona led **FR** comincerà a lampeggiare, tenere premuto il tasto freccia BASSO  per **3s**, l'icona LED tempo  inizierà a lampeggiare e il ciclo temporizzato sarà selezionato.
3. Premere e rilasciare il pulsante **START/STOP**  per iniziare il ciclo negativo: i led  +  del compressore, il led **FR**, il led **HD** e il led sonda spillone  resteranno accesi in modo continuo (Icona led  nel caso di ciclo temporizzato).
4. Una volta che la sonda spillone raggiunge il valore di pre-setting o il ciclo temporizzato sarà terminato, un allarme acustico e visivo segnalerà che il ciclo è finito, l'abbattitore entrerà in modalità conservazione e il led  lampeggerà.





Attenzione: Durante la modalità conservazione il display visualizzerà la temperatura camera "rNP".


Funzionamento

Ciclo GELATO

Nota: la sonda spillone non può essere utilizzata per i seguenti passaggi (La temperatura viene rilevata dalla sonda camera "rNP").


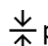

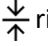

1. Premere il pulsante GELATO , i led CH,FR e  inizieranno a lampeggiare, sul display verrà visualizzato il tempo **210min**.
2. Premere e rilasciare il pulsante START/STOP , un ciclo di pre-raffreddamento da **20Min**. comincerà fino a quando la temperatura della camera raggiungerà i **-20°C** (Valore parametro "rSP"). Il compressore si fermerà per **5min**. e poi lavorerà mantenendo la temperatura della camera a **-20°C**.
Dopo i **20Min**. il termostato attiverà il buzzer per 15 volte per avvisare l'operatore che il ciclo di pre-raffreddamento è terminato.

Attenzione: le icone CH,FR e  smetteranno di lampeggiare e rimarranno accese, si accenderanno anche le icone compressore  +  e l'icona di modalità conservazione  comincerà a lampeggiare

3. La porta dell'abbattitore può essere aperta e possono essere inserite nell'unità le vaschette del gelato (Max: 6 vaschette per ogni ciclo)
4. Il ciclo "Gelato" ha una durata di 3.5 ore, in accordo con il valore del parametro "rS1"
5. Una volta che il ciclo Gelato è terminato il termostato attiverà il buzzer per 15 volte per avvisare l'operatore che il ciclo è finito, l'abbattitore entrerà in modalità conservazione e manterrà la temperatura della camera a **-20°C** fino a quando l'operatore non interromperà la modalità premendo il pulsante START/STOP 

Ciclo "FROST BUST" (-40°C)

Nota: la sonda spillone non può essere utilizzata per i seguenti passaggi (La temperatura dell'aria della camera viene rilevata dalla sonda "rNP"). Questo tipo di ciclo è suggerito per congelare la superficie dei cibi con la funzione **-40°C**

1. Premere e rilasciare il pulsante FROST BUST , il led  per la modalità conservazione comincerà a lampeggiare.
2. Premere e rilasciare il pulsante START/STOP , un ciclo di abbattimento "Frost Bust" comincerà e l'icona di conservazione  rimarrà accesa in modo permanente.
3. Il ciclo terminerà solo quando l'operatore premerà nuovamente il tasto START/STOP .
4. Quando la temperatura dell'aria della camera raggiungerà i **-40°C**, il compressore si fermerà e ripartire solo quando rileverà una temperatura di **-37°C** (Valore parametro "rS2").

Funzionamento

L'abbattitore è adatto ad abbattere la temperatura di un prodotto alimentare (vedere la tabella con le temperature in relazione al prodotto).

Non introdurre nell'abbattitore il cibo appena uscito dal forno, attendere qualche minuto prima di posizionare il prodotto dentro la camera ed iniziare il ciclo.

Si ricorda che il tempo di abbattimento del prodotto alla temperatura desiderata, dipende da vari fattori come ad esempio:

- La forma, il tipo, lo spessore ed il materiale nel quale è contenuto il prodotto alimentare da "abbattere".
- Uso dei coperchi sui contenitori.
- Le caratteristiche fisiche del prodotto, densità, contenuto d'acqua e contenuto di grassi.
- Le condizioni di temperatura dell'alimento da "abbattere".

L'impostazione tempo di abbattimento di temperatura positivo o negativo rapido sono da settare in base al tipo ed al peso del prodotto trattato.

MODALITA' DI SELEZIONE DEL TIPO DI ABBATTIMENTO

Le modalità di selezione dell'abbattimento sono le seguenti:

- A tempo, se si conosce il tempo di abbattimento del prodotto da abbattere. Quando termina la fase a tempo, passa automaticamente alla modalità conservazione.
- Oppure con Sonda Spillone da inserire nel cuore del prodotto; basterà impostare la temperatura desiderata del prodotto da abbattere, la sonda rileva la temperatura impostata, dopo 1 segnale acustico l'abbattitore passerà in modalità conservazione (vedere posizione sonda spillone).

Tipo di abbattimento	Velocità del ciclo	Tipo di prodotto	Carico prodotto	Ciclo al cuore del prodotto
POSITIVO	A piena velocità	Per tutti gli alimenti densi e di grosse pezzature	Max 4 Kg per teglia	+3°C MAX 90Min.
NEGATIVO	A piena velocità	Per tutti gli alimenti densi e di grosse pezzature	Max 3 Kg per teglia	Fino a -18°C (240 minuti)
	Velocità ridotta	Prodotti delicati, verdure, creme, dessert al cucchiaio, prodotti di piccole pezzature		

Funzionamento

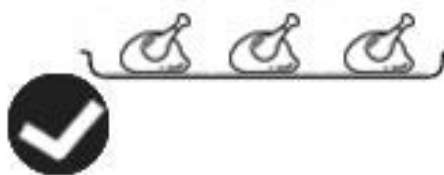
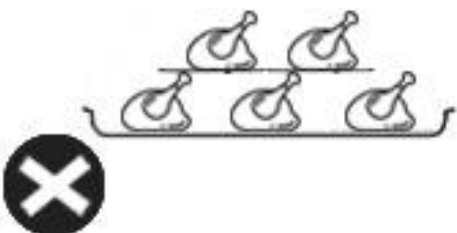
MISURAZIONE TEMPERATURA AL CUORE DEL PRODOTTO



Quando lo spessore del prodotto lo consente, utilizzare sempre la sonda di temperatura a spillone, per conoscere l'esatta temperatura raggiunta al cuore del prodotto, si suggerisce, inoltre, di non interrompere il ciclo di abbattimento o aprire la porta prima che si sia raggiunta la temperatura di $+3^{\circ}\text{C}$, in abbattimento positivo e -18°C per quello negativo.

CARICO DEL PRODOTTO

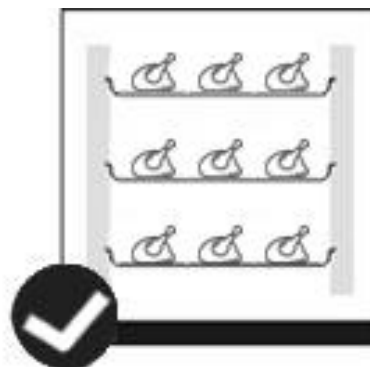
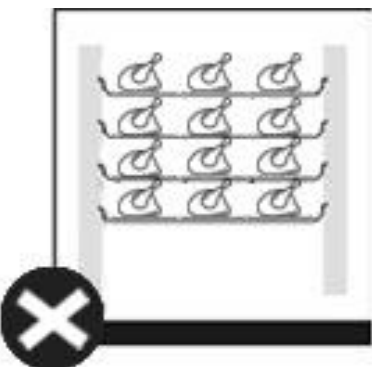
I prodotti da abbattere non devono essere sovrapposti.



SPAZIO FRA LE GRIGLIE/TEGLIE

Al fine di permettere un buon ricircolo di aria all'interno della camera dell'abbattitore:

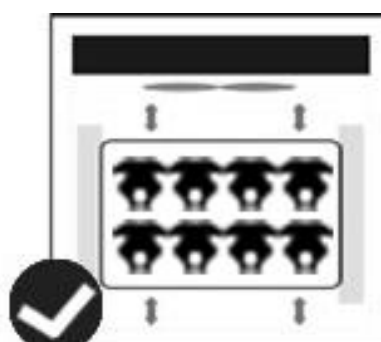
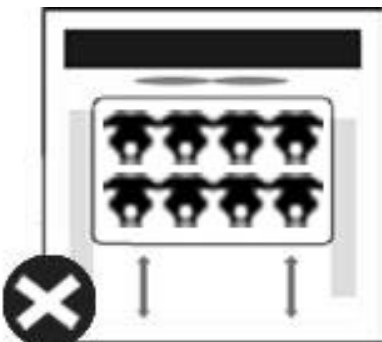
- Si deve tenere un spazio tra i ripiani di almeno 65 mm.



POSIZIONE DELLE TEGLIE

Al fine di permettere un buon abbattimento:

- Le teglie NON devono essere posizionate a ridosso dell'evaporatore
- Ripartire in spazi uguali la distanza fra teglia e teglia



Funzionamento

CONSERVAZIONE PRODOTTO COTTO ED ABBATTUTO

Il prodotto cotto ed abbattuto può essere conservato in frigorifero mantenendo le qualità organolettiche fino a 5 giorni da quello di trattamento. Importante è rispettare la catena del freddo, mantenendo durante la conservazione una temperatura costante compresa tra $0^{\circ}\text{C} \div 4^{\circ}\text{C}$, a seconda dell'alimento. Utilizzando la tecnica del sottovuoto, il tempo di conservazione può essere aumentato fino a circa 15 giorni.

CONSERVAZIONE PRODOTTO COTTO E SURGELATO

Il prodotto cotto e surgelato può essere conservato in frigorifero mantenendo le qualità organolettiche per diversi mesi dal momento del trattamento.

I prodotti che hanno subito il ciclo di abbattimento negativo possono essere conservati con sicurezza per un tempo compreso tra i 3 ed i 18 mesi, a seconda dell'alimento trattato. importante è rispettare una temperatura di conservazione uguale o minore di -20°C .



ATTENZIONE

Evitare di lasciare a temperatura ambiente i prodotti cotti e da abbattere.

Evitare perdite di umidità, pena la perdita della fragranza conservata del prodotto.

Il prodotto abbattuto deve essere protetto da una pellicola per alimenti (meglio se sottovuoto) e munito di targa adesiva su cui siano riportate con caratteri indelebili come segue:

- Il contenuto
- Il giorno di preparazione
- La data di scadenza assegnata



ATTENZIONE

Alimenti già scongelati non possono essere ricongelati

Parametri principali

L'abbattitore ha N.2 livella di modalità di programmazione:

- **PRIMO LIVELLO:** "pr1" sono i parametri standard dalla fabbrica, e sono relativi alle funzionalità secondarie dell'apparecchio.
- **SECONDO LIVELLO:** Sono tutti quei parametri sensibili relativi al funzionamento dei 5 cicli base. (Nei 5 Cicli sopracitati, con i prametri variabili, non è incluso il ciclo "FROST BUST" comandato dal parametro "SEF" presente nel PRIMO LIVELLO).

PRIMO LIVELLO:

- Tenere premuto la combo pulsanti **SET** + ▼ per **3s**, le icone led °C e °F cominceranno a lampeggiare.
- Premere e rilasciare I pulsanti ▲ e ▼ per la selezione del parametro.
- Premere e rilasciare il pulsante **SET** per visualizzare sul display il valore del parametro.
- Premere e rilasciare I pulsanti ▲ e ▼ per cambiare il valore del parametro.
- Premere e rilasciare il tasto **SET** per salvare il nuovo valore e passare ai parametri successivi.
- **Per terminare la procedura:** Premere e rilasciare la combo **SET** + ▲ o non operare per almeno **15s**.






Parametro	Min.	Max.	Unità	Valore	Descrizione
SEF	-50	+50	°C/°F	-40	Set point del ciclo frost bust (-40°C)
Hy	0.1	12	°C/°F	3	Isteresi del compressore
AC	0	30	Min.	5	Ritardo riaccensione compressore
rPo	-12	+12	°C/°F	-1	Calibrazione sonda camera
P2P	N	Y	-----	Y	Presenza sonda spillone
ot2	-12	+12	°C/°F	-1	Calibrazione sonda spillone
CF	---	---	°C/°F	°C	Unità di misura della temperatura
rES	In	dE	-----	In	Risoluzione per °C
odc	-----	-----	-----	Fan	Blocco utenze da microporta Nor, Fan, F-C
MdF	0	255	Min.	15	Durata massima sbrinamento
dFd	-----	-----	-----	dEF	Temperatura visualizzata durante lo sbrinamento Rt, it, SET, dEF
Fdt	0	60	Min.	2	Tempo sgocciolamento
FnC	-----	-----	-----	o - Y	Modalità di funzionamento ventilatori durante la conservazione o-n, Cn, o-Y, Cy
ALU	ALL	+50°C	°C/°F	50	Allarme di massima temperatura(in conservazione)
ALL	-50°C	ALU	°C/°F	-50	Allarme di minima temperatura in conservazione
AHY	0.1	12	°C/°F	2	Differenziale ripristino allarme
ALd	0	255	Min.	15	Ritardo allarme temperatura
bUt	0	60	Sec.	12	Durata attivazione buzzer a fine ciclo


Parametri principali

SECONDO LIVELLO: solo per le seguenti 5 tipologie di ciclo

- ABBATTIMENTO POSITIVO "SOFT"
- ABBATTIMENTO POSITIVO "HARD"
- ABBATTIMENTO NEGATIVO "SOFT"
- ABBATTIMENTO NEGATIVO "HARD"
- CICLO GELATO

Nota: Ciclo **FROST BUST** (-40°C) fa riferimento alla lista parametri precedente "Pr1" (Valore "SEF").

- Seguire le istruzioni precedenti per selezionare il ciclo di abbattimento desiderato. (Pag.44)
- Le icone led identificheranno il ciclo secondo le seguenti corrispondenze:
 - a) Abbattimento positive soft (CH Icona Led) : corrispondente al tasto 
 - b) Abbattimento positive hard (CH+HD Icona Led) : corrispondente al tasto 
 - c) Abbattimento negativo soft (FR Icona Led) : corrispondente al tasto 
 - d) Abbattimento negativo hard (FR +HD Icona Led) : corrispondente al tasto 
 - e) Ciclo gelato (CH+FR icone Led) : corrispondenti al tasto 
 - f) Tenere premuto il tasto corrispondente per almeno **3s**, il display visualizzerà sul display il primo parametro della lista "secondo livello" "**cyS**".
- Premere e rilasciare I pulsanti ▲ e ▼ per la selezione del parametro.
- Premere e rilasciare il pulsante **SET** per visualizzare sul display il valore del parametro.
- Premere e rilasciare I pulsanti ▲ e ▼ per cambiare il valore del parametro.
- Premere e rilasciare il tasto **SET** per salvare il nuovo valore e passare ai parametri successivi.
- **Per terminare la procedura:** Premere e rilasciare la combo **SET** + ▲ o non operare per almeno **15s**

Parametro	CH CHILL FREEZE	CH+ HD CHILL FREEZE	FR CHILL FREEZE	FR+HD CHILL FREEZE	CH+FR 	Descrizione
cyS	tEP	tEP	tEP	tEP	Tim	Impostazione ciclo
dbC	no	no	no	no	no	Sbrinamento prima del ciclo
dbH	no	no	no	no	no	Fine ciclo di sbrinamento/prima della conservazione.
cap	yes	yes	yes	yes	yes	Modalità conservazione dopo il ciclo
rSP	-----	-----	-----	-----	-20	Set point camera per la fase del pre-raffreddamento.
PdP	-----	-----	-----	-----	20:00	Durata massima fase pre-raffreddamento
iS1	3	10	3	-18	-----	Set point sonda spillone prima fase
rS1	0.0	-20	0.0	-37	-41	Set point camera per prima fase
Pd1	02:00	01:20	02:30	04:00	03:30	Ciclo a tempo prima fase
iS2	-----	3	-18	-----	-----	Set point sonda spillone seconda fase
rS2	-----	0.0	-37.0	-----	-----	Set point camera per seconda fase
Pd2	OFF	00:40	01:30	OFF	OFF	Ciclo a tempo seconda fase
HdS	2.0	2.0	-20.0	-20.0	-20.0	Set point della fase di conservazione

Parametri principali

Parametro	Significato
cyS	Modalità gestione ciclo tEP: per temperatura; il ciclo viene svolto in accordo al parametro rEM. tim: a tempo; la durata del ciclo è determinato dai parametri Pd1, Pd2, Pd3 (3 fasi).
dbc	Sbrinamento prima del ciclo Y= lo sbrinamento viene effettuato n= il ciclo inizia subito senza effettuare lo sbrinamento.
dbH	Fine ciclo di sbrinamento/prima della conservazione. Yes = lo sbrinamento viene effettuato / n = la fase conservazione inizia subito.
cap	Modalità conservazione dopo il ciclo Yes = la fase conservazione viene effettuato/ n=la fase conservazione è disabilitata.
rSP	Set point camera per la fase del pre-raffreddamento. Quando la temperatura misurata dalla sonda camera raggiunge questo valore, la fase in corso viene terminata ed iniziata la successiva.
PdP	Durata massima fase pre-raffreddamento Questa è la massima durata della fase di pre-raffreddamento, se la temperatura, definita dal parametro rSP, non raggiunge entro la fine del ciclo a tempo il valore impostato l'unità passa alla fase successiva. (Solo per ciclo gelato)
iS1	Set point per sonda spillone prima fase OFF= la fase è fatta a tempo. Altri valori= Quando la temperatura misurata dalla sonda spillone raggiunge questo valore, la fase in corso viene terminata ed iniziata la successiva.
rS1	Set point camera per la prima fase Evita che la temperatura della camera raggiunga valori troppo bassi. Questo valore gestisce il funzionamento del compressore.
Pd1	Se il ciclo è a tempo (prima fase) viene considerato nel caso in cui non sia presente la sonda spillone (da 00:00 a 32h00min, ris 1 min); al termine di questo tempo si passa alla successiva fase. Se il ciclo è a temperatura (prima fase) questo valore è utilizzato solo se è presente la sonda spillone; è la durata massima della prima fase nel caso in cui la temperatura definita al parametro iS1 non venga raggiunta.
iS2	Set point per sonda spillone seconda fase OFF= la fase è fatta a tempo. Altri valori= Quando la temperatura misurata dalla sonda spillone raggiunge questo valore, la fase in corso viene terminata ed iniziata la successiva.
rS2	Set point camera per la seconda fase Evita che la temperatura della camera raggiunga valori troppo bassi. Questo valore gestisce il funzionamento del compressore.
Pd2	Se il ciclo è a tempo (seconda fase) Viene considerato nel caso in cui non sia presente la sonda spillone (da 00:00 a 32h00min, ris 1min); al termine di questo tempo si passa alla successiva fase. Se il ciclo è a temperatura (seconda fase) Questo valore è utilizzato solo se è presente la sonda spillone; è la durata massima della seconda fase nel caso in cui la temperatura definita al parametro iS2 non venga raggiunta.
HdS	Set point della fase di conservazione

Pulizia, assistenza e manutenzione

Spegnere e scollegare dalla rete di alimentazione prima della pulizia.

- Pulire l'esterno e l'interno dell'apparecchio più frequentemente possibile.
- La manutenzione dell'abbattitore deve includere almeno una pulizia periodica giornaliera della zona di carico per prevenire lo sviluppo e l'accumulo di batteri.
- Prima di fare la pulizia della camera dell'abbattitore, eseguire uno sbrinamento lasciando aperta la porta e togliendo il tappo della piletta di scarico.
- Lo sbrinamento dell'abbattitore avviene in modo manuale e può essere eseguito con porta aperta
- Dopo che l'abbattitore ha terminato il ciclo di abbattimento, si deve togliere il tappo di scarico dell'acqua della piletta in questo modo si farà defluire l'acqua di condensa all'interno della vaschetta. La piletta serve anche per far defluire gli eventuali liquidi del prodotto.
- Ad ogni fine ciclo di sbrinamento controllare il livello dell'acqua e se serve vuotare la vaschetta. (Posizionata sotto al basamento dell'unità condensatrice).
- Pulire l'unità con un panno umido. Non permettere mai all'interruttore, al pannello di controllo, al cavo o alla spina di bagnarsi.
- Non utilizzare detergenti abrasivi, prodotti che contengono cloro, soda caustica, acido muriatico, aceto e varichina. Questi possono lasciare residui nocivi. Utilizzare solo acqua e sapone neutro.
- Pulire la guarnizione della porta solo con acqua.
- Assicurarsi che l'acqua di pulizia non penetri nei componenti elettrici.
- Vietato pulire con un getto d'acqua.
- Pulire e asciugare sempre dopo la pulizia con un panno morbido.
- Non consentire all'acqua usata per la pulizia di attraversare il foro di scarico per entrare nella coppa di evaporazione.
- Fare attenzione quando si pulisce la parte posteriore dell'apparecchio.
- Un rappresentante o un tecnico devono eseguire le riparazioni dove necessario.
- Se l'apparecchio deve rimanere fermo per lunghi periodi, staccare la spina dopo aver impostato l'interruttore in posizione **OFF**, vuotare lo scomparto frigorifero e pulire accuratamente.
- La manutenzione dell'abbattitore deve includere almeno una pulizia periodica giornaliera della sonda di temperatura a spillone
- Si raccomanda attentamente di sciacquare la sonda a spillone con acqua pulita e con una soluzione igienizzante

Manutenzione speciale

Le istruzioni fornite nel seguente paragrafo possono essere seguite da tecnici qualificati

- Pulire periodicamente il condensatore usando utensili idonei (aspiratore o spazzole a setole morbide) può allungare il ciclo di vita utile dell'apparecchio.
- Controllare che i collegamenti elettrici non siano allentati.
- Verificare che il termostato e il sensore siano in buono stato di funzionamento.

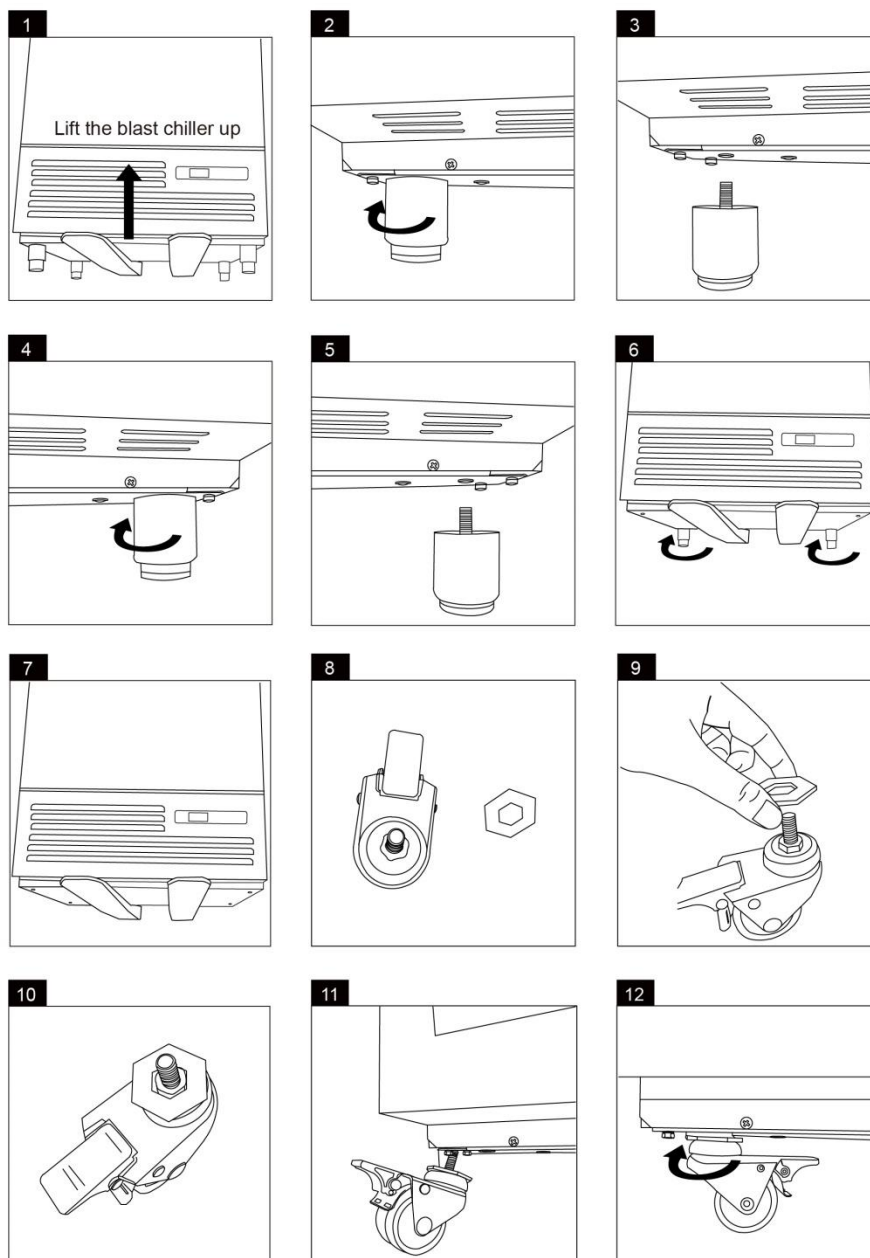
Accessorio opzionale

Quattro ruote

Fissare due ruote dotate di freno nella parte inferiore/anteriore e due ruote prive di freno nella parte posteriore in basso.

Procedimento: Seguire i 12 passi descritti qui di seguito per procedere alla sostituzione dei piedi con ruote.

Nota: se desiderate acquistare accessori opzionali, chiedete ai responsabili di vendita per suggerimenti.

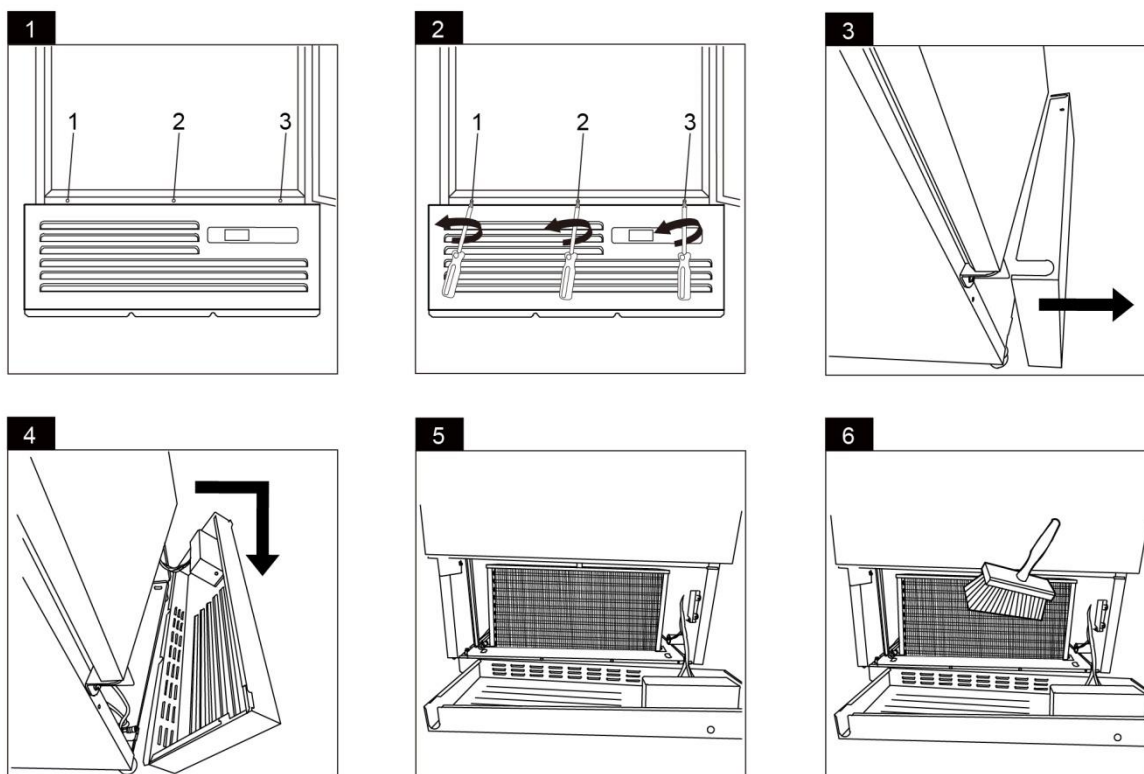


Precauzione:

- Si prega di scollegare il cavo dall'alimentazione elettrica prima di procedere alla sostituzione dei piedi.
- Prima di iniziare il processo di sostituzione fissare il carrello elevatore.
- Assicurare tutti i cassetti, ripiani, coperchi prima di effettuare la sostituzione.
- Svuotare l'armadio prima di procedere alla sostituzione.
- Dopo aver effettuato la sostituzione fissare i freni delle ruote.

Accessorio opzionale

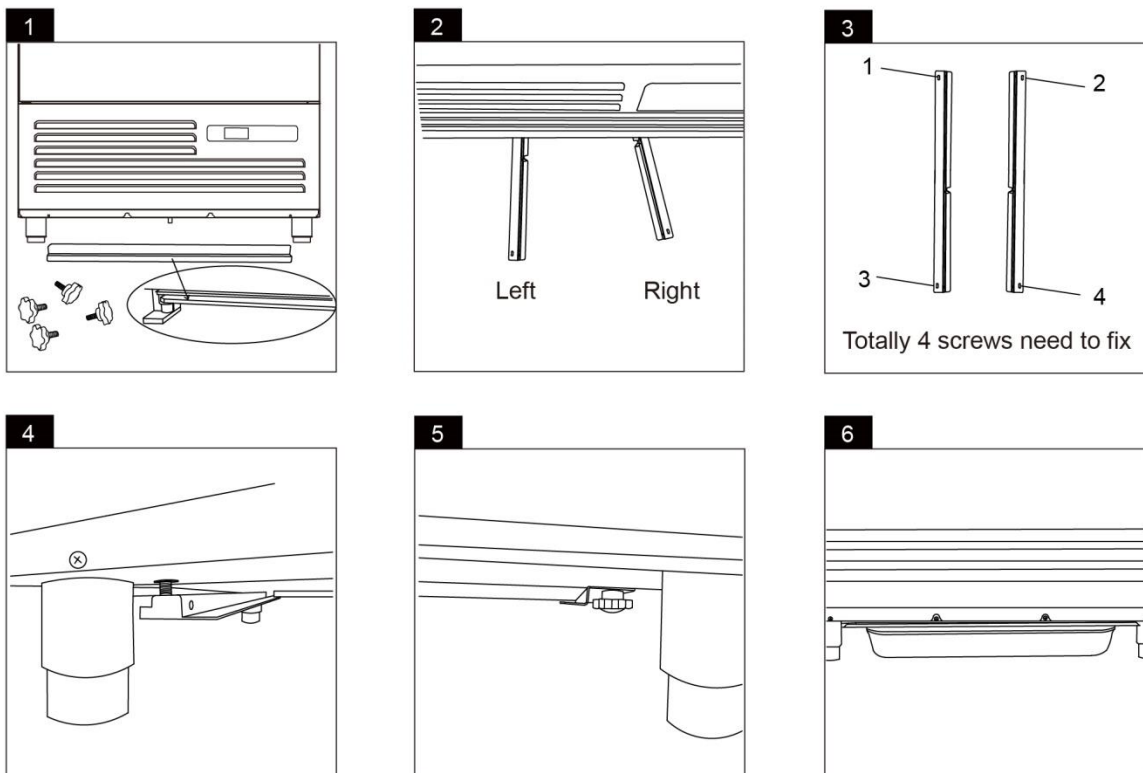
Come pulire il condensatore



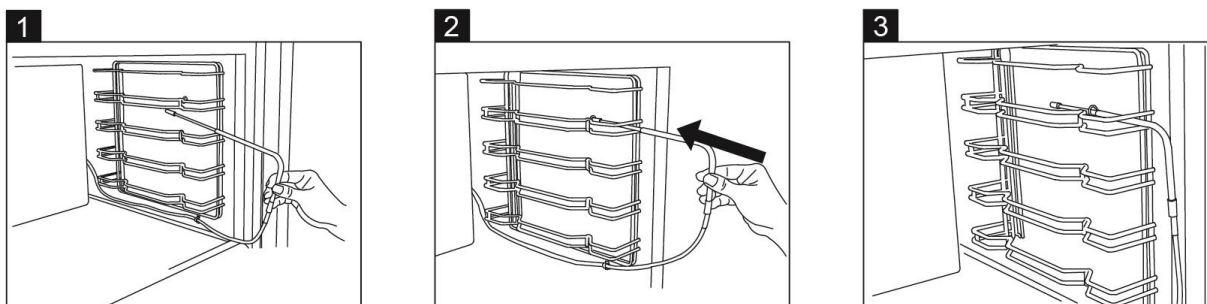
Nota: Questo tipo di operazioni sull'apparecchio devono essere eseguite dal dipartimento assistenza cliente o da un tecnico qualificato, in quanto si è esposti a componentistica elettrica.

Accessorio opzionale

Come assemblare la vaschetta raccolta condensa (Vaschetta GN1/1 non inclusa nel kit di montaggio)

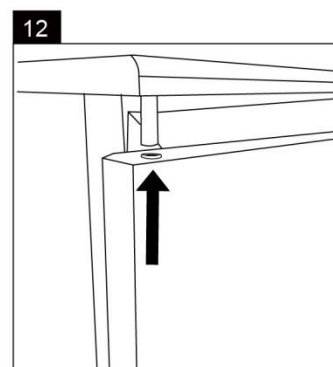
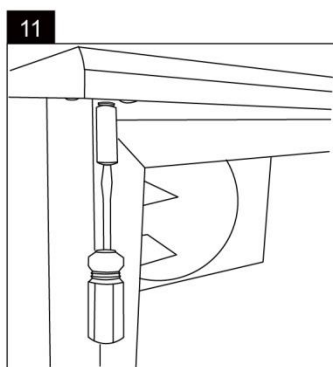
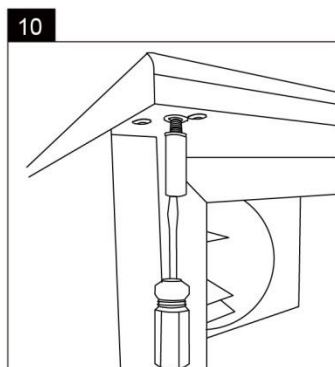
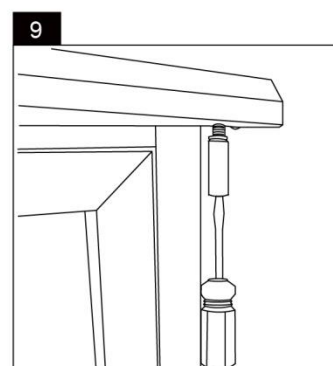
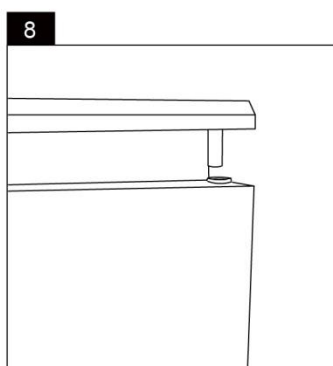
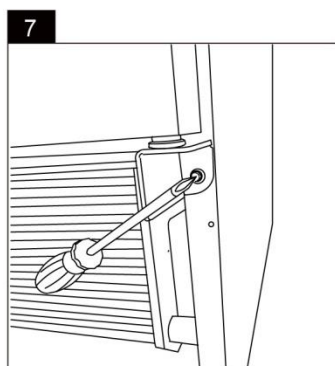
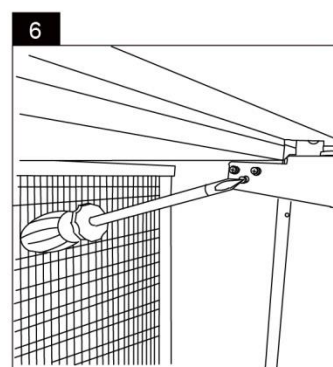
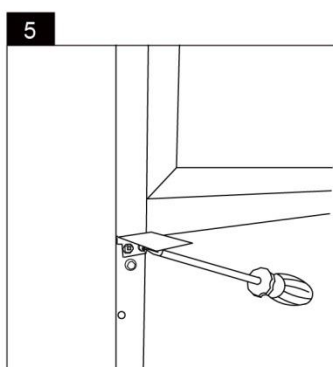
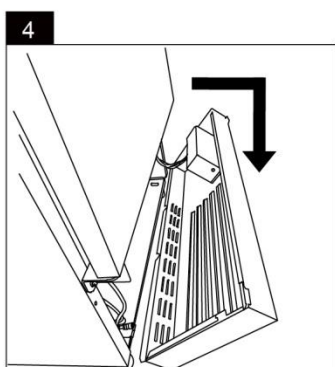
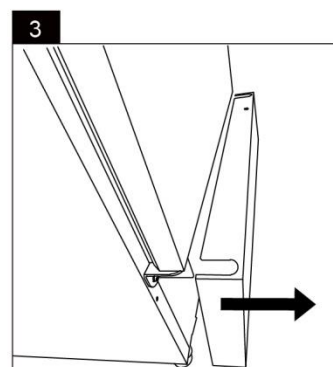
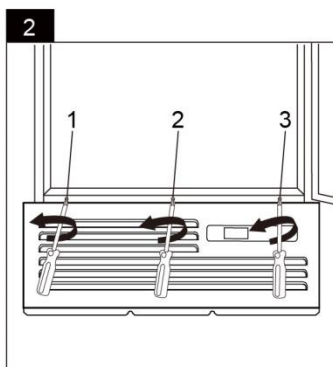
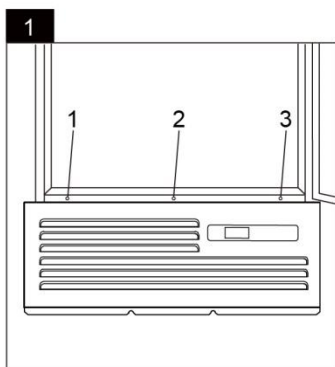


Dove riporre la sonda spillone mentre non è utilizzata

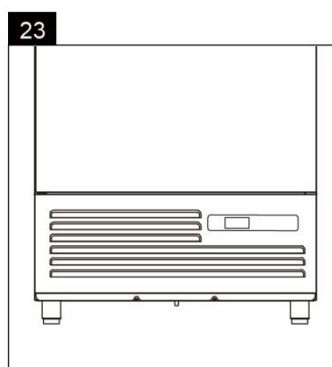
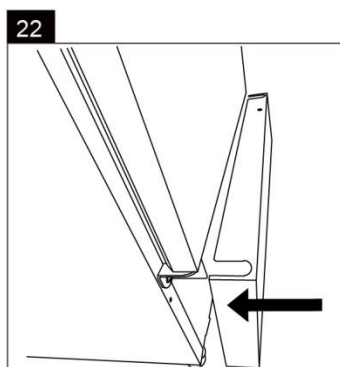
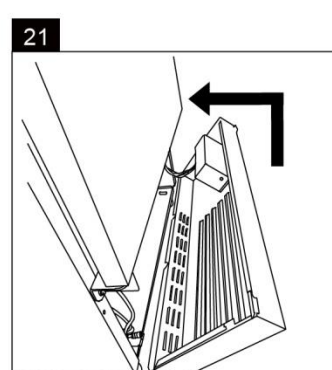
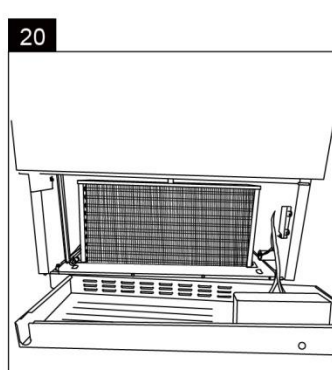
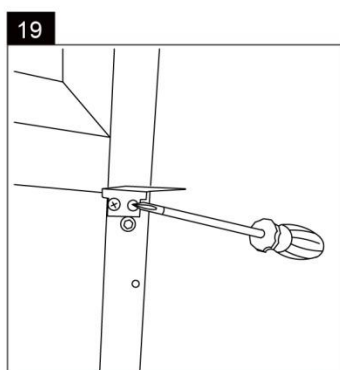
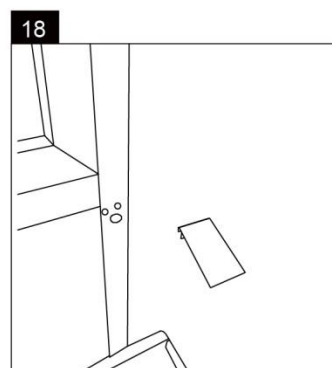
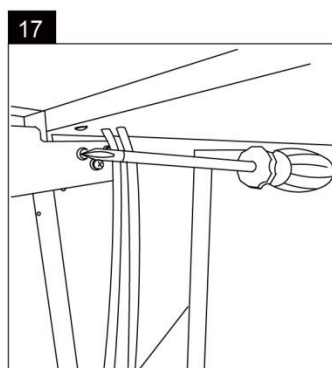
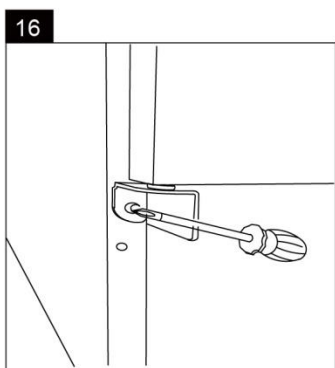
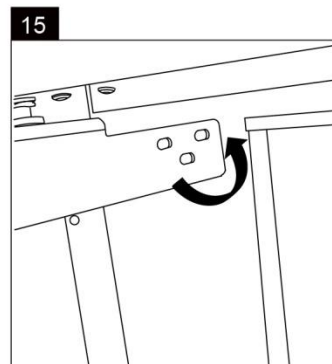
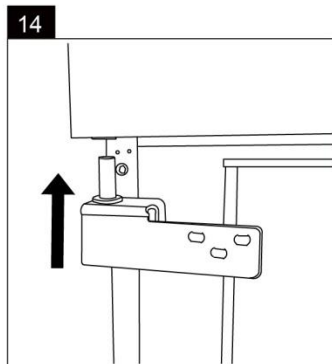
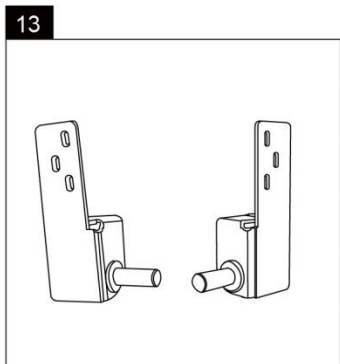


Accessorio opzionale

Come invertire la porta



Accessorio opzionale



Risoluzione dei problemi

Problema	Potenziale problema	Azione per risolvere il problema
L'apparecchio non funziona	L'unità non è accesa	Controllare che l'unità sia collegata correttamente e accesa
	La spina e / o il cavo sono danneggiati	Contattare il proprio rappresentante o un tecnico qualificato
	Il fusibile nella spina è bruciato	Sostituire il fusibile (Spina UK)
	Alimentatore	Controllare l'alimentazione
L'apparecchio si accende, ma la temperatura è troppo alta / bassa	Troppo ghiaccio sull'evaporatore	Sbrinare l'apparecchio
	Condensatore bloccato da polvere	Contattare il proprio rappresentante o un tecnico qualificato
	Gli sportelli non si chiudono correttamente	Controllare che gli sportelli siano chiusi e non siano danneggiati
	L'apparecchio è situato vicino a una fonte di calore o il flusso d'aria al condensatore è stato interrotto	Spostare il frigorifero in un luogo più adatto
	Temperatura ambiente troppo elevata	Aumentare la ventilazione o spostare apparecchio in una posizione più fresca
	Nell'apparecchio vengono conservati alimenti non idonei	Rimuovere eventuali prodotti alimentari caldi o blocchi eccessivi al ventilatore
	L'apparecchio è in sovraccarico	Ridurre la quantità di alimenti conservati nell'apparecchio
L'apparecchio fa un rumore insolitamente forte	Dado / vite allentata	Controllare e serrare tutti i dadi e le viti
	L'apparecchio non è stato installato in una posizione piana o stabile	Controllare la posizione di installazione e, se necessario, cambiarla
L'apparecchio perde acqua	L'apparecchio non si trova in posizione livellata	Regolare la base a vite per livellare l'apparecchio (se applicabile)
	L'uscita di scarico è bloccata	Sgombrare l'uscita di scarico
	Lo spostamento dell'acqua verso lo scarico è ostruito	Pulire il pavimento dell'apparecchio (se applicabile)
	Il serbatoio dell'acqua è danneggiato	Contattare il proprio rappresentante o un tecnico qualificato
	Il cassetto di sgocciolamento è troppo pieno	Svuotare il cassetto di sgocciolamento (se applicabile)
Allarme: rPf	Sonda termostato guasta	Uscita allarme ON (Con e Cof) compressore secondo parametri
Allarme: EPF	Sonda evaporatore guasta	Funzionamento ventola dipende da come impostato FnC . Sbrinamento finisce nel tempo indicato.
Allarme: AH	Alta temperatura	Uscita allarme ON. Altre uscite invariate. (Reset manuale).
Allarme: LA	Bassa temperatura	Uscita allarme ON. Altre uscite invariate.
Allarme: OCF	Superamento del tempo massimo del ciclo	Uscite invariate. In ogni caso il ciclo termina quando viene raggiunta la temperatura finale (Reset manuale).
Allarme: dA	Apertura porta	Allarme ON. Ventole e compressore OFF
Allarme: CPA	Protezione compressore	Uscite invariate.

Smaltimento

Se l'apparecchio non viene più utilizzato e si desidera smaltirlo, rimuovere gli sportelli per evitare che bambini piccoli rimangano intrappolati all'interno. Quindi si prega di farlo in modo ecocompatibile.

Contattare un tecnico qualificato:

1. Per recuperare tutto il freon / refrigerante
2. Per rimuovere il compressore o l'olio dal compressore
3. Per rimuovere i gas infiammabili di soffiatura dell'isolamento

Il distributore / rivenditore potrà contattare il proprio centro locale di riciclaggio di metalli per prendere il mobile rimanente, scaffali, ecc.

Ci possono essere requisiti o condizioni particolari. È possibile ottenere informazioni sullo smaltimento degli apparecchi refrigeranti da:

- Il vostro fornitore
- Le autorità di governo (il Comune, il Ministero dell'Ambiente, ecc.)

Per legge, lo smaltimento dei rifiuti pericolosi può essere soggetto a multe e reclusione in base alle disposizioni delle normative ambientali.

1. Il refrigerante di questa unità è un refrigerante a base di idrocarburo ed è coperto dal protocollo di Kyoto.
2. Rilasciare il refrigerante nell'atmosfera metterà in pericolo l'ambiente contribuendo al surriscaldamento globale. Il potenziale rischio di inquinamento (GWP) di R134a è 1430, di R404a è 3922, di R600a/R290 è 3.

Smaltimento



Le apparecchiature elettriche smaltite sono riciclabili e non devono essere gettate insieme ai normali rifiuti domestici! Vi preghiamo di supportarci attivamente nella conservazione delle risorse e nella protezione dell'ambiente portando l'apparecchio presso un centro di raccolta (se applicabile).



PAP

Smaltire l'imballaggio conformemente alle regolamentazioni legali applicabili.

Dati Tecnici

Modello	Abbattitore (5 – 7 - 10 Teglie)
Classe climatica	<p>Fare riferimento alle informazioni indicate sul prodotto. Troverete le informazioni sull'etichetta informativa sul retro dell'unità. Il diagramma di circuito è mostrato sul retro dell'unità.</p>
Range di temperatura (°C)	
Gas refrigerante	
Carica del refrigerante	
Frequenza nominale	
Alimentazione in entrata	
Corrente nominale	
Potenza nominale	
Wattaggio lampada	
Peso netto	
Capacità netta (Kg)	
Agente schiumogeno	

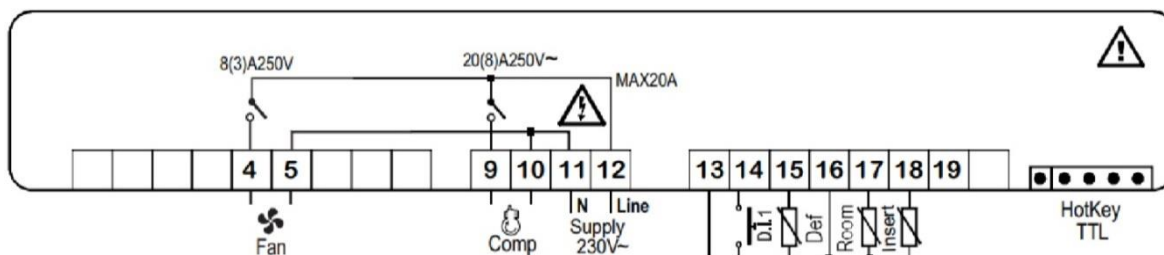


ATTENZIONE: RISCHIO DI INCENDIO ED ESPLOSIONE CON REFRIGERANTE INFIAMMABILE R600a/ R290.

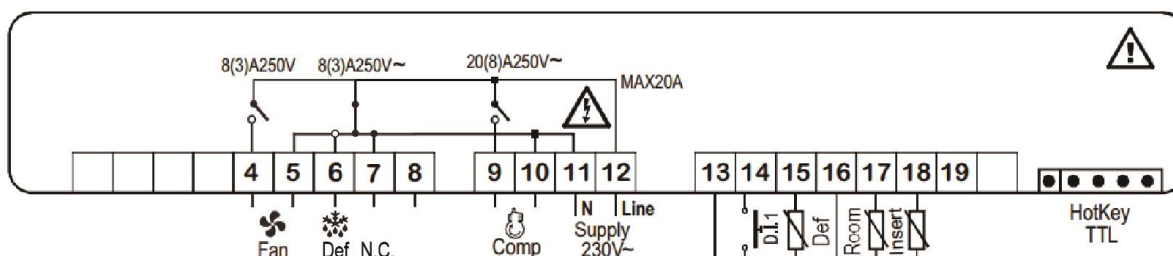


Cablaggio termostato

Termostato per abbattitore 5 – 7 Teglie



Termostato per abbattitore 10 Teglie



Garanzia

A questo prodotto si applica una garanzia di legge.

I danni causati da un trattamento o funzionamento sbagliato, da posizionamento o conservazione errata, collegamento o installazione impropria, così come da forze o altre influenze esterne non sono coperti dalla garanzia. Si consiglia un'attenta lettura delle istruzioni per l'uso in quanto contengono informazioni importanti.

Nota:

1. Nel caso in cui il prodotto non funzioni correttamente, verificare in primo luogo se ci sono altri motivi, ad esempio, per gli elettrodomestici, la causa è generalmente l'interruzione dell'alimentazione elettrica o la manipolazione scorretta.
2. Si prega di notare che, quando possibile, insieme al prodotto difettoso dovrebbero essere prodotti i seguenti documenti o informazioni:
 - Ricevuta di acquisto
 - Descrizione modello / Tipo / Marca
 - Descrivere il guasto e il problema nel modo più dettagliato possibile

Nel caso di una richiesta di garanzia o di difetti, si prega di contattare il venditore.

GWL 7/08 E/IT

