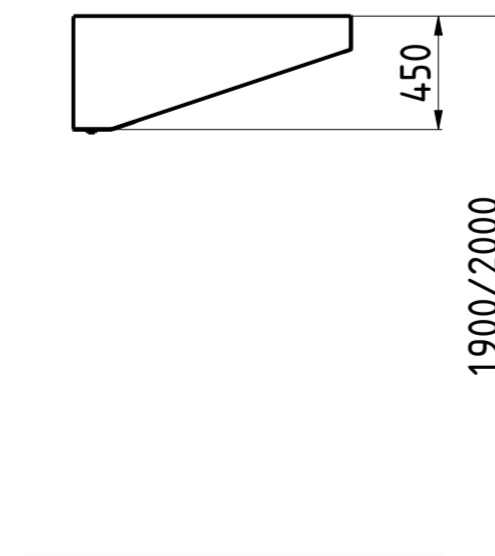
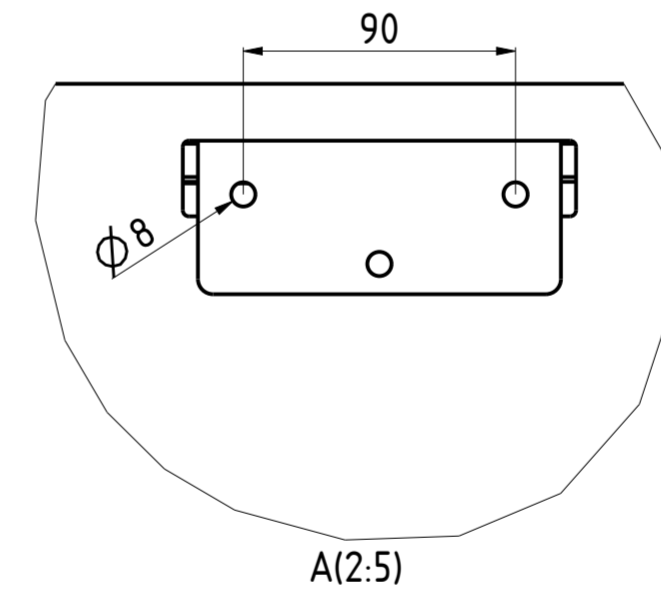
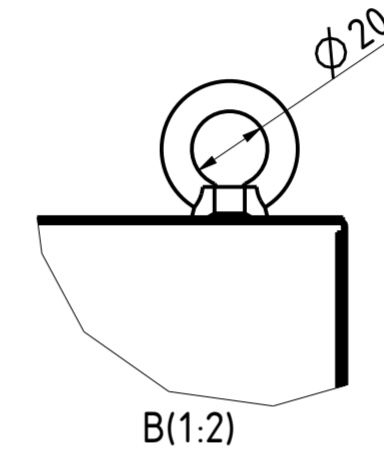
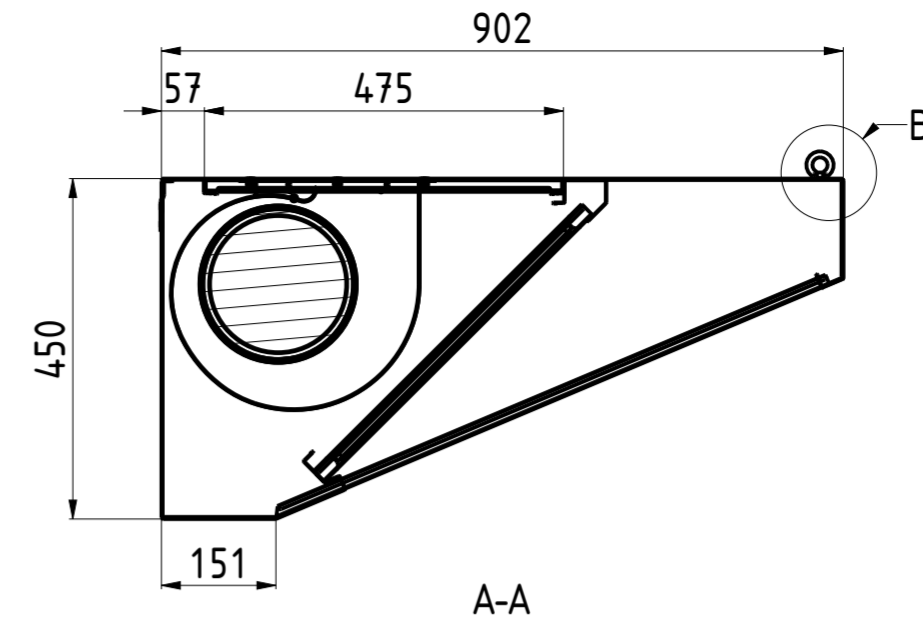
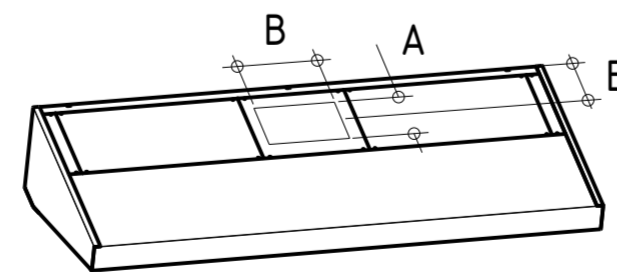
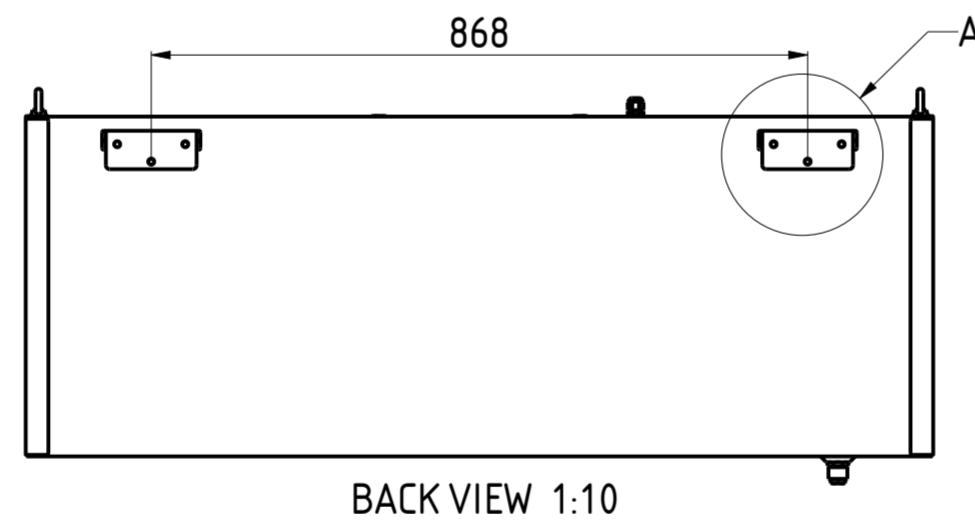
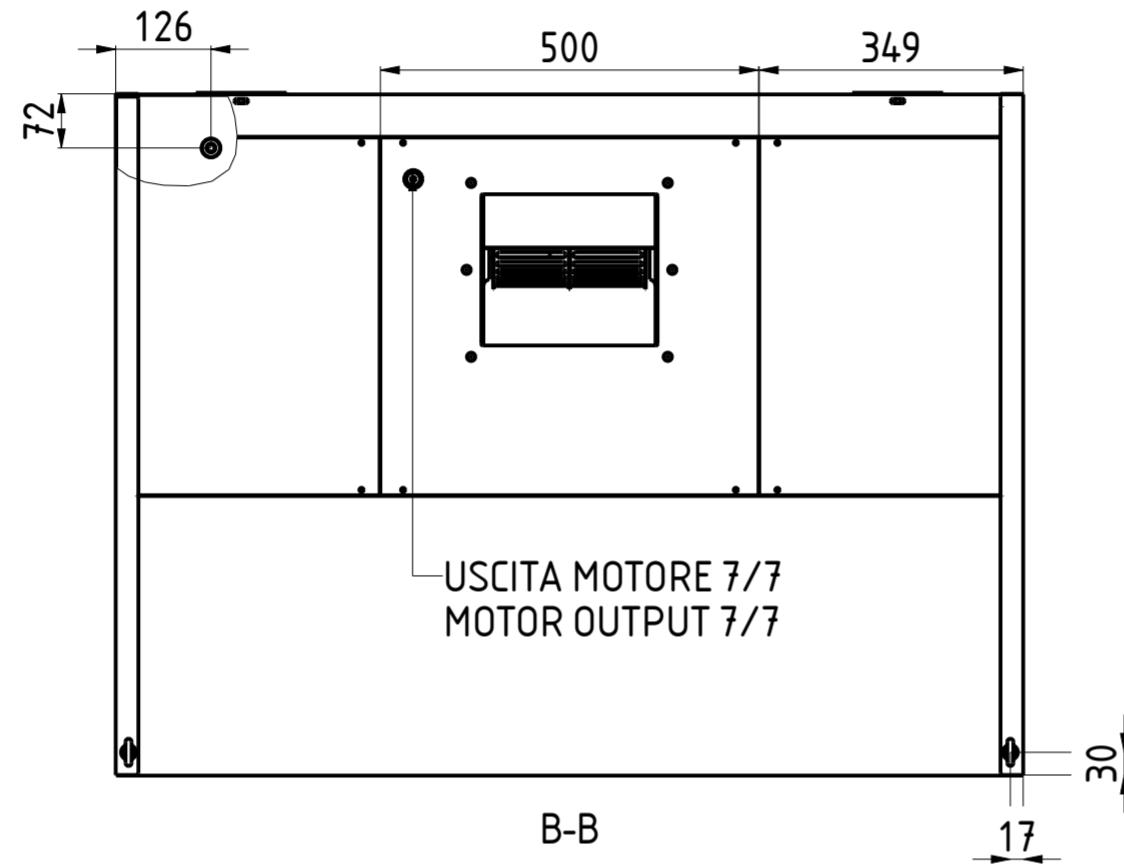
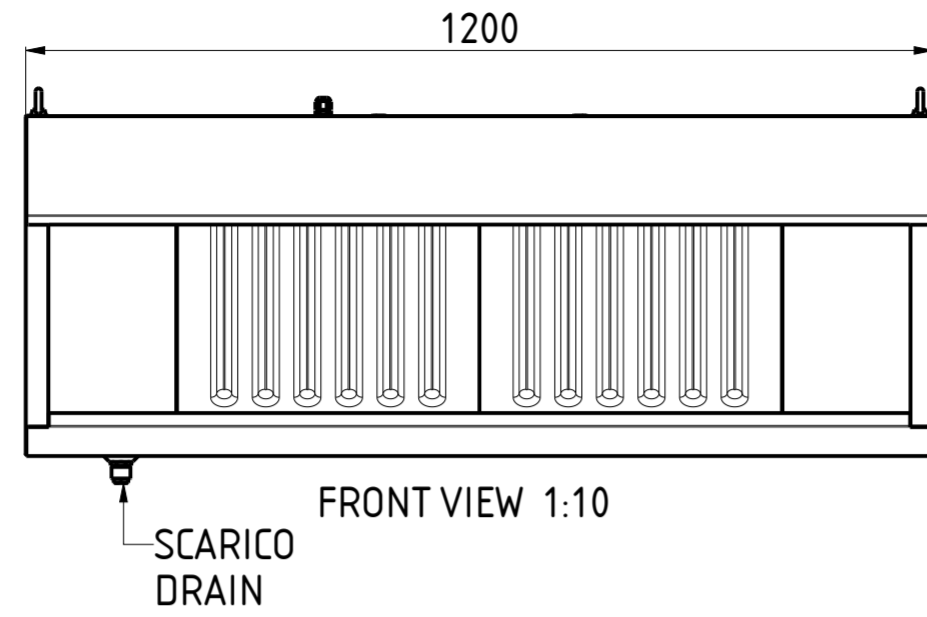


CHCSK0912M



FORO AxB HOLE AxB	E	NR. LUCI NR. LIGHTS	PORTATA FLOW RATE	HST mmH:0	WATT	SDR	PESO (Kg) WEIGHT (Kg)
210x230	230	—	1360	24	147	7/7	56

DATA DATE	MODIF. N. MODIF. NO.	DESCRIZIONE MODIFICHE MODIFICATION DESCRIPTION	DISegnato DRAWN BY	APPROVATO APPROVED
MODELLO MODEL CAPPA SNACK CON MOTORE 9/12 SNACK HOOD WITH MOTOR 9/12		DISegno N. DRAWING NO. DSSM_9-12	SCALA SCALE -	
PARTICOLARE DETAIL SCHEDA TECNICA DATA SHEET		DISegnato DRAWN BY M.PAPI	DATA DATE -	
MATERIALE MATERIAL AISI 304 - AISI 430	SPES.S. THICK. -	APPROVATO APPROVED	SHEET 1 OF 2	
FINITURA FINISH	PEZZI N. PIECES NO.	SOSTITUISCE IL DIS. N. IT REPLACES DRAWING NO.		ULTIMA EMISS. LAST EDITION
TRATTAMENTO TREATMENT	COLORE COLOUR	SOSTITUITO DAL DIS. N. REPLACED BY DRAWING NO.		

RISTOPRO SRL
FRAZ. BORGO TUFICO, 47 FABRIANO (AN)
ITALY +39.732.043494
WWW.RISTOPRO.COM

mm

FORM.A-2

ELABORATO CON SISTEMA CAD
DESIGNED BY CAD\$TEM

QUOTA PRIMARIA
PRIMARY DIMENSION
XX

ANGOLI
Angles
30°

TOLLERANCE UNLESS OTHERWISE STATED

>500	±0.75
400-500	±0.65
315-400	±0.60
250-315	±0.55
180-250	±0.50
120-180	±0.45
80-120	±0.40
50-80	±0.35
30-50	±0.30
18-30	±0.25
10-18	±0.20
5-10	±0.15
0-5	±0.10

QUOTE SENZA TOLLERANZA
DIMENSIONS WITHOUT TOLERANCE

LUNGH. E DIAM.
LENGTH AND DIAM.
mm